



Citi-el
LED up your business

+7 (499) 647-80-74

zakaz@citi-el.ru

www.citi-el.ru

SUNCOM

GUANGDONG SUNCOM POWER TECHNOLOGY CO.,LTD

Please contact our distributor



Citi-el
LED up your business

+7 (499) 647-80-74

zakaz@citi-el.ru

www.citi-el.ru

STREET LIGHTING | INDUSTRIAL LIGHTING | PLANT LIGHTING | OUTDOOR GENERAL LIGHTING

2024 V1.0

GUANGDONG · CHINA

HISTORY OF DEVELOPMENT >>>>>

TOGETHER WITH SUNCOM MAKE A BETTER FUTURE



COMPANY PROFILE

Guangdong Suncom Power Technology Co., Ltd, since 2009, is a high-tech enterprise integrating "research, production, sales and marketing" of LED driver. It takes "Committed to Being a Global Leading Outdoor Lighting LED Driver Solution Partner" as the brand strategy, "cost-leading, product-driven enterprise" as the development strategy. Products are widely used in industrial lighting, street lighting, tunnel lighting, plant lighting, intelligent lighting and other outdoor general lighting.

SUNCOM has a standard industrial park of more than 30,000 square meters, more than 300 employees, among which technical personnel account for more than 20%. There are 2 modern standard workshops with 9 semi-automatic standard production lines, the monthly average capacity of more than 1 million units at full load. At the same time, the company has standard inventory to meet the rapid delivery of orders.

SUNCOM passed ISO quality management system, environmental management system, occupational health and safety management system certification. products with ENEC, CB, CE, CCC, SAA, TUV, UL, ETL, FCC, CLASS-P and other global standard certifications.

In 2022, SUNCOM invested heavily to build a CNAS standard laboratory and innovative R&D center, with a R&D team of more than 60 people. Product research and development follows the IPD management concept, creating a standard product platform through the ultimate optimization of technology platform, process design, and device selection, and using the standard product platform to derive products with specific needs to coordinate with the company's major customer sales strategy.

In 2023, SUNCOM awarded as "Specialized, Precised, Characteristic, Novel" Small & Medium-sized Enterprise in Guangdong province. In the meanwhile, SUNCOM launched global brand strategy and continuously participated in international lighting exhibitions from HK / Brazil / Mexico / Pakistan / Turkey / Iran / Egypt / Poland / Russia / Vietnam etc. These brand promotion activities have greatly improved brand awareness and reputation.



MISSION

Novelly created by Suncom, human progress was driven.

VISION

Committed to Being a Global Leading Outdoor Lighting LED Driver Solution Partner

MOTTO

Respect God & Love People, Unite Knowledge & Action.

CORE VALUES

Integrity, Gratitude, Unity and Fighting.

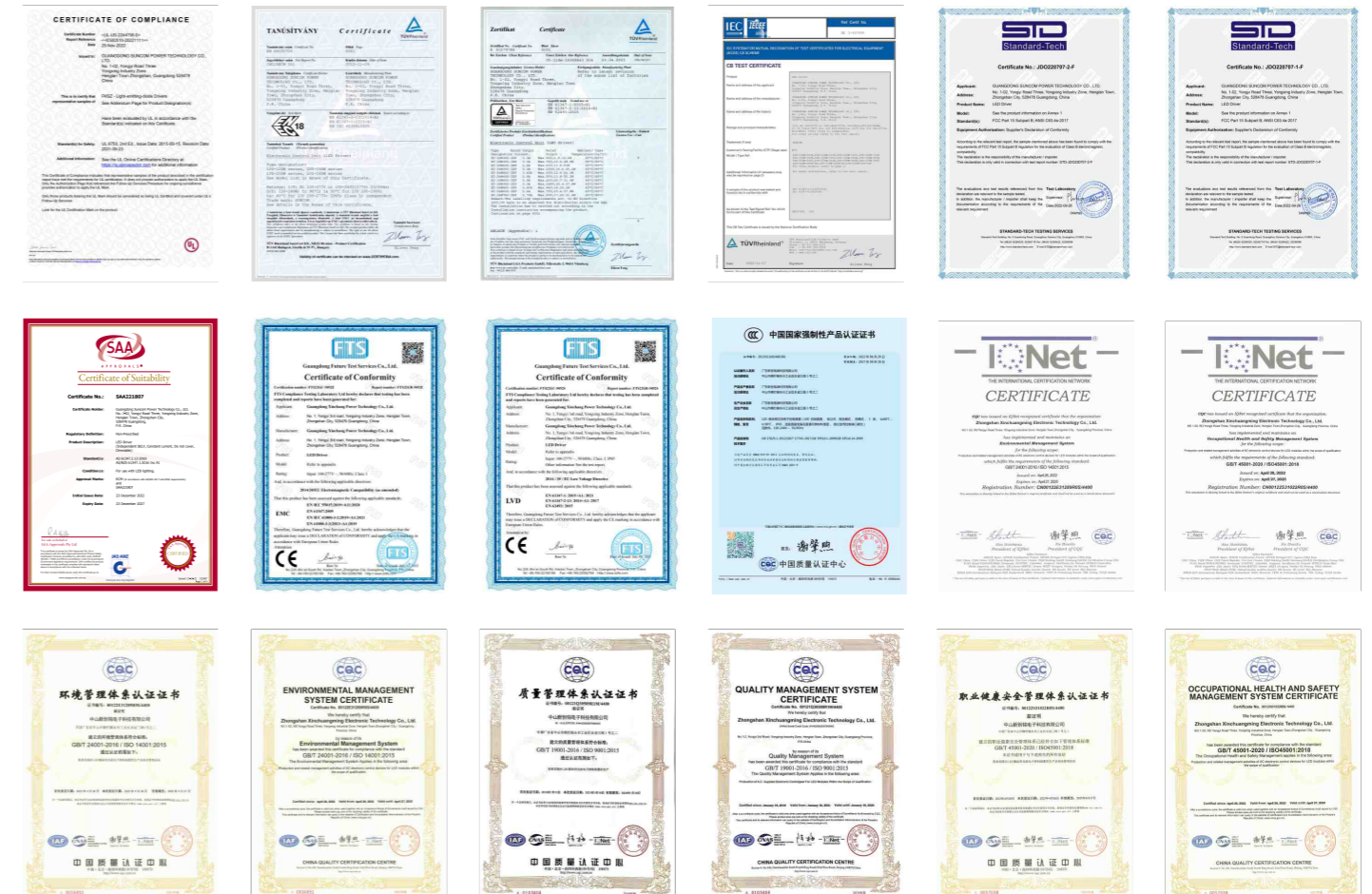
MANAGEMENT PHILOSOPHY

Build a learning team, carry forward the spirit of teamwork, and continuously improve the core competitiveness of enterprises and individuals.

Company Honors



Patent Certificate



Company View



Front desk

Office zone

Sales team



2F production area

Intelligent aging cabinet

Automatic glue filling line



4F high power production area



Exhibition hall - Development history

Exhibition hall - Smart scene&Honor

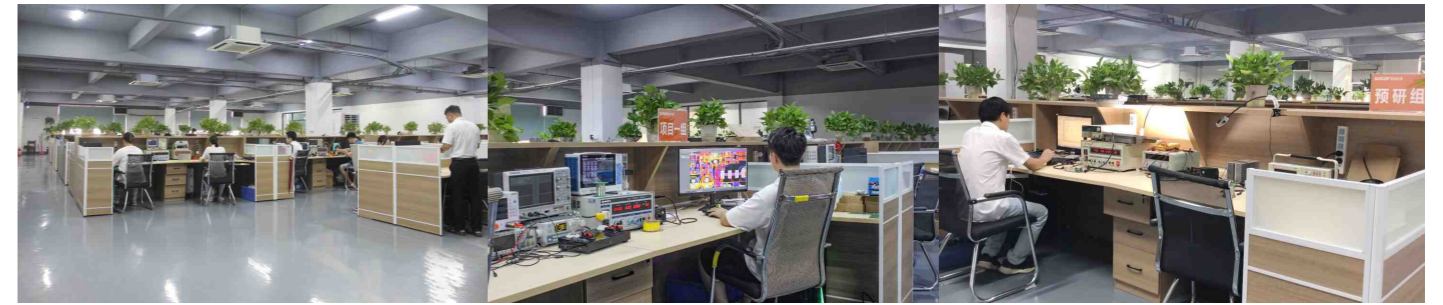
Exhibition hall - Simulation scenario 1



Exhibition hall - Simulation scenario 2

Exhibition hall-Products display area

Innovation R&D Center



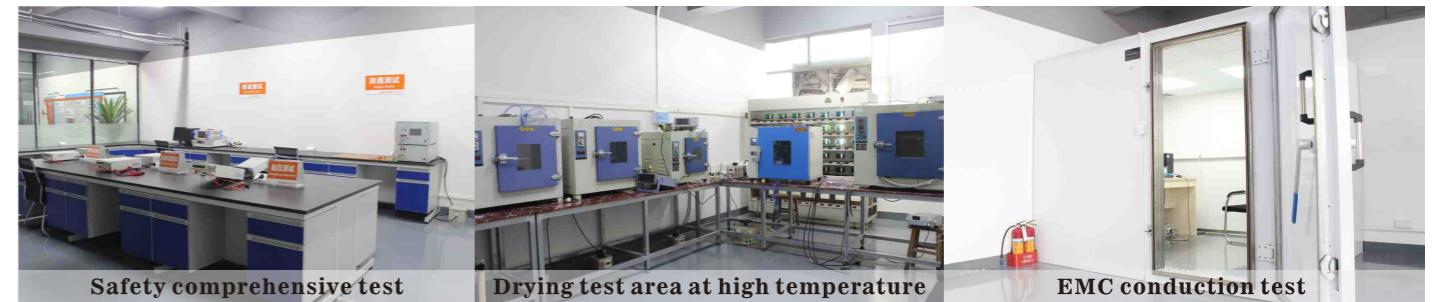
CNAS Standard Laboratory



Laboratory Introduction

Laboratory access

Constant temperature and humidity test



Safety comprehensive test

Drying test area at high temperature

EMC conduction test



Integral ball, vibration/drop test

Salt spray test

Rain test

HOT PRODUCTS

01 ISOLATED LED STREET LIGHT DRIVER



P01/02

HVC Isolated flicker free LED street light drivers (30W/50W/75W/100W/150W/200W/240W)

INPUT VOLTAGE: 100-277VAC OUTPUT VOLTAGE: 27-56VDC/HIGH VOLTAGE LOW CURRENT
ELECTRICAL PERFORMANCE PARAMETERS: THD<10%/PF>0.95
SURGE PROTECTION GRADE: 6/10KV (<75W: 4/6KV)
EFFICIENCY: 89%~94%
IP GRADE: IP67
PROTECTIONS: INPUT UVP (<150W), OUTPUT SCP/OVP/OTP
GLOBAL CERTIFICATIONS: CE/CB/CCC
WARRANTY: 5 YEARS



P03/04

HVE Isolated LED street light drivers (30W/50W/75W/100W/150W/200W/240W)

INPUT VOLTAGE: 200-277VAC OUTPUT VOLTAGE: 20-38VDC/32-56VDC/HIGH VOLTAGE LOW CURRENT
ELECTRICAL PERFORMANCE PARAMETERS: THD<10%/PF>0.95
SURGE PROTECTION GRADE: 6/10KV (<75W: 4/6KV)
EFFICIENCY: 89%~91% IP GRADE: IP67
PROTECTIONS: INPUT UVP, OUTPUT SCP/OVP/OTP
GLOBAL CERTIFICATIONS: CE/CCC
WARRANTY: 5 YEARS



P05/06

HAE Special isolated driver for small LED street light (8W/12W/24W/40W/50W/60W/80W/100W/150W/200W/240W)

INPUT VOLTAGE: 120-277VAC OUTPUT VOLTAGE: 19-38VDC/28-56VDC/HIGH VOLTAGE LOW CURRENT
ELECTRICAL PERFORMANCE PARAMETERS: THD<10%/PF>0.95
EFFICIENCY: 82%~91% IP GRADE: IP65
PROTECTIONS: INPUT UVP, OUTPUT SCP/OVP/OLP/OTP
CERTIFICATIONS: CE/CB/CCC WARRANTY: 5 YEARS
※ CLASS I & CLASS II
※ APPLICATIONS: SMALL STREET LIGHT, EXPLOSION-PROOF LIGHT AND OTHERS WITH COMPACT POWER CHAMBER



P07/08

GEP Isolated LED street light drivers (75W/80W/100W/150W/200W)

INPUT VOLTAGE: 100-277VAC OUTPUT VOLTAGE: 25-36VDC/30-42VDC/34-54VDC/54-90VDC
ELECTRICAL PERFORMANCE PARAMETERS: THD<15%/PF>0.95
SURGE PROTECTION GRADE: 4/6KV
EFFICIENCY: 90%~91.5% IP GRADE: IP65
PROTECTIONS: INPUT UVP, OUTPUT SCP/OVP/OTP
CERTIFICATION: CE
WARRANTY: 5 YEARS
※ NOTE: POWER WILL BE OFF AT 320V HIGH-VOLTAGE AND RESUME AFTER THE VOLTAGE IS NORMAL



P09/10

SCP Isolated LED street light drivers (50W/75W/100W/150W/200W/240W)

INPUT VOLTAGE: 100-277VAC OUTPUT VOLTAGE: 28-56VDC/54-90VDC
ELECTRICAL PERFORMANCE PARAMETERS: THD<15%/PF>0.95
SURGE PROTECTION GRADE: 6/10KV
EFFICIENCY: 89.3%~91.5%
IP GRADE: IP65
PROTECTIONS: INPUT UVP (>75W), OUTPUT SCP/OVP/OTP
CERTIFICATION: CB (COMPLIANT WITH SASO2927 STREET LAMP STANDARD)
WARRANTY: 5 YEARS

02 ISOLATED LED TUNNEL LIGHT DRIVER



P11

HDC Isolated flicker free bicolor LED tunnel light drivers(50W/75W/100W/150W/200W/240W)

INPUT VOLTAGE: 200-277VAC OUTPUT VOLTAGE: 27-56VDC
ELECTRICAL PERFORMANCE PARAMETERS: THD<10%/PF>0.95
SURGE PROTECTION GRADE: 6/10KV (<75W: 4/6KV)
EFFICIENCY: 89%~90%
IP GRADE: IP67 PROTECTIONS: INPUT UVP, OUTPUT SCP/OVP/OTP
FEATURES: 0-5V NON-POLAR DIMMING AND COLOR TEMPERATURE (OPTIONAL: DIMMING OFF, 0-10V NON-POLAR DIMMING AND COLOR TEMPERATURE, PWM DIMMING AND COLOR ADJUSTMENT, POSITIVE AND NEGATIVE LOGIC DIMMING)
CERTIFICATION: CCC WARRANTY: 5 YEARS

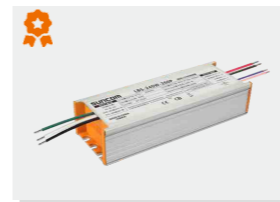
03 NON-ISOLATED LED STREET LIGHT DRIVER



P13/14

HVS Non-isolated flicker free LED street light drivers (30W/50W/75W/100W/120W/150W/200W/240W/320W)

INPUT VOLTAGE: 100-277VAC OUTPUT VOLTAGE: 90-150VDC/180-260VDC
ELECTRICAL PERFORMANCE PARAMETERS: THD<10%/PF>0.95
SURGE PROTECTION GRADE: 6/10KV (<75W: 4/6KV)
EFFICIENCY: 90%~95.5%
IP GRADE: IP67
PROTECTIONS: INPUT UVP, OUTPUT SCP/OVP/OLP/OTP
CERTIFICATIONS: ENEC/CE/CB/CCC (C VERSION IS COMPLIANT WITH THE NEW ERP STANDARD)
WARRANTY: 5 YEARS



P15/16

LBS Non-isolated Flicker Free LED Street Light Drivers (40W/60W/80W/100W/120W/150W/200W/240W/320W)

INPUT VOLTAGE: 120-270VAC (INPUT VOLTAGE 100-120VAC, POWER DECREASE INTO 80%)
OUTPUT VOLTAGE: 80-150VDC/180-260VDC
ELECTRICAL PERFORMANCE PARAMETERS: THD<10%/PF>0.95
PROTECTIONS: INPUT UVP (POWER OFF WHEN VOLTAGE<90V), OUTPUT SCP/OVP/OTP
CERTIFICATIONS: CE/CB/CCC
SURGE PROTECTION GRADE: 4/6KV
EFFICIENCY: 90%~95.5%
IP GRADE: IP42
WARRANTY: 5 YEARS
REMARK: FOR BUILT-IN USE ONLY, LAMP HOUSING NEED TO BE WATERPROOF

04 NON-ISOLATED LED UFO DRIVER



P17/18

LVS Non-isolated flicker free LED UFO drivers (120W/150W/200W/240W)

INPUT VOLTAGE: 100-277VAC OUTPUT VOLTAGE: 100-180VDC/180-260VDC
ELECTRICAL PERFORMANCE PARAMETERS: THD<10%/PF>0.95/COMMON MODE RESIDUAL VOLTAGE<3KV
PROTECTIONS: OUTPUT SCP/OVP/OTP
GLOBAL CERTIFICATIONS: ENEC-CE/SAA/CCC/CUL/UL/FCC/CB/CLASS P (C VERSION IS COMPLIANT WITH NEW ERP STANDARD)
SURGE PROTECTION GRADE: 6/10KV
EFFICIENCY: 94%~95.5%
IP GRADE: IP65 WARRANTY: 5 YEARS
REMARK: WITHSTANDING VOLTAGE FOR LAMP BOARD≥3KV, CREEPAGE DISTANCE ≥3.5MM
※ NOTE: INSTALLATION HOLE DIAMETER IS 113MM



P19/20

LAS Non-isolated flicker free LED UFO drivers (50W/80W/100W/120W/150W/200W/240W)

INPUT VOLTAGE: 200-240VAC OUTPUT VOLTAGE: 410-470VDC
ELECTRICAL PERFORMANCE PARAMETERS: THD<15%/PF>0.95/
COMMON MODE RESIDUAL VOLTAGE<2.5KV/96% EFFICIENCY
PROTECTIONS: INPUT UVP, OUTPUT SCP/OTP/OVP
CERTIFICATIONS: CE/CB/CCC (PCBA OPTIONAL, 3 YEARS WARRANTY)
SURGE PROTECTION GRADE: 4/6KV
EFFICIENCY: 95%~96%
IP GRADE: IP42 (IP65 OPTION) WARRANTY: 5 YEARS
REMARK: WITHSTANDING VOLTAGE FOR LAMP BOARD≥3KV, CREEPAGE DISTANCE ≥4.5MM
※ NOTE: INSTALLATION HOLE DIAMETER IS 113MM



P21/22

LAG Non-isolated LED UFO drivers (50W/80W/100W/120W/150W/200W/240W)

INPUT VOLTAGE: 200-240VAC OUTPUT VOLTAGE: 410-450VDC/410-470VDC
ELECTRICAL PERFORMANCE PARAMETERS: THD<15%/PF>0.95/
COMMON MODE RESIDUAL VOLTAGE<2.5KV/97% EFFICIENCY
PROTECTIONS: INPUT UVP, OUTPUT OTP/OVP
CERTIFICATIONS: CE/CB/CCC (PCBA OPTIONAL, 3 YEARS WARRANTY)
SURGE PROTECTION GRADE: 4/6KV
EFFICIENCY: 96%~97%
IP GRADE: IP42 (IP65 OPTION) WARRANTY: 5 YEARS
REMARK: WITHSTANDING VOLTAGE FOR LAMP BOARD≥3KV, CREEPAGE DISTANCE ≥4.5MM
※ NOTE: INSTALLATION HOLE DIAMETER IS 113MM



SPECIFICATIONS

30W / 50W / 75W / 100W / 150W / 200W / 240W

	Model	Rated Power	Input Voltage	Output Voltage	Output Current	Product Size	THD. (Typ)	PF. (Typ)
N.V.	HVC-30W-56*	30W	100-277V	27-56V	300-1000mA	132*52*28mm	<10%	>0.95
	HVC-50W-56*	50W	100-277V	27-56V	600-1500mA	132*52*28mm	<10%	>0.95
	HVC-75W-56*	75W	100-277V	27-56V	900-2100mA	149*61*33mm	<10%	>0.95
	HVC-100W-56*	100W	100-277V	27-56V	1300-3000mA	167*61*33mm	<10%	>0.95
	HVC-150W-56*	150W	100-277V	27-56V	1800-4500mA	190*69*36mm	<10%	>0.95
	HVC-200W-56*	200W	100-277V	27-56V	2600-5600mA	211*69*36mm	<10%	>0.95
H.V.	HVC-240W-56*	240W	100-277V	27-56V	3500-6700mA	225*69*36mm	<10%	>0.95
	HVC-50W-72*	50W	100-277V	36-72V	500-1050mA	132*52*28mm	<10%	>0.95
	HVC-75W-108*	75W	100-277V	54-108V	500-1050mA	149*61*33mm	<10%	>0.95
	HVC-100W-143*	100W	100-277V	71-143V	500-1050mA	167*61*33mm	<10%	>0.95
	HVC-150W-214*	150W	100-277V	95-214V	500-1050mA	190*69*36mm	<10%	>0.95
	HVC-200W-286*	200W	100-277V	143-286V	500-1050mA	211*69*36mm	<10%	>0.95
	HVC-240W-343*	240W	100-277V	171-343V	500-1050mA	225*69*36mm	<10%	>0.95

* N.V.: Normal output voltage H.V.: High output voltage

(Specific size is subject to the real product)

FEATURES

HOT PRODUCTS

INPUT VOLTAGE: 100-277VAC

OUTPUT VOLTAGE: 27-56VDC/**HIGH VOLTAGE LOW CURRENT**

ELECTRICAL PERFORMANCE PARAMETERS: THD<10%/PF>0.95

SURGE PROTECTION GRADE: 6/10KV (<75W: 4/6KV)

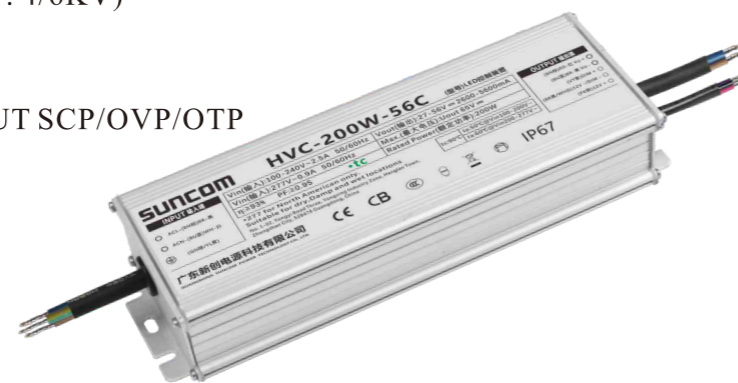
EFFICIENCY: 89%~94%

IP GRADE: IP67

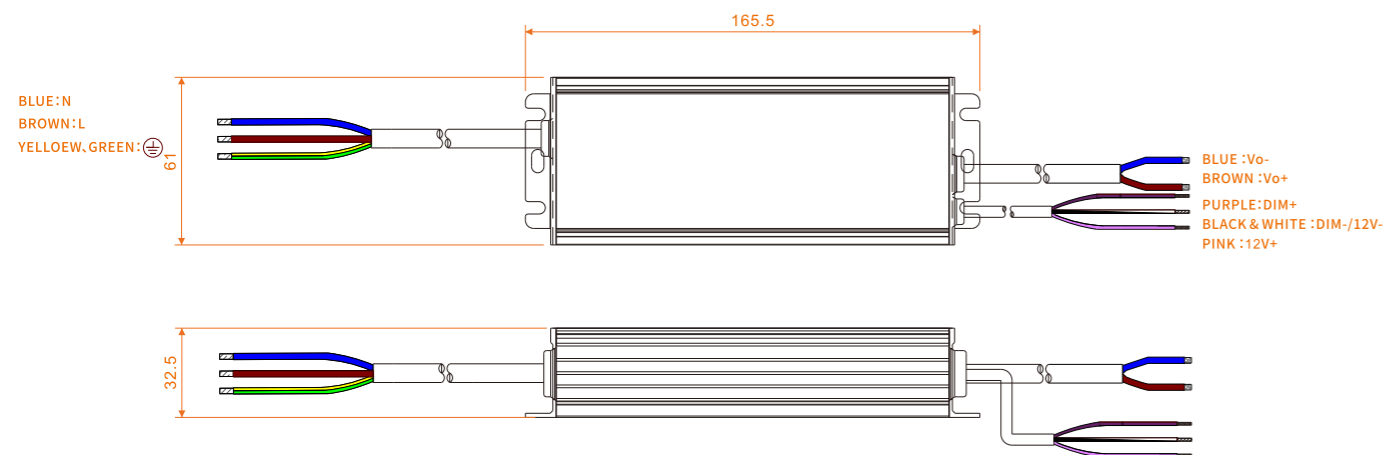
PROTECTIONS: **INPUT UVP (<150W)**, OUTPUT SCP/OVP/OTP

GLOBAL CERTIFICATIONS: CE/CB/CCC

WARRANTY: 5 YEARS



DIMENSION



▲ HVC-100W Dimension

Rated power	* Version			Packing		
	A-Adjustable potentiometer version	B-Three-in-one dimming version	C-12V auxiliary power version (no afterglow version)	Quantity(PCS)	Weight(KG)	Measure(CM)
30W	√	√	×	35	13.0	33.5*24.5*24
50W	√	√	×	35	13.3	33.5*24.5*24
75W	√	√	×	30	15.6	33.5*24.5*24
N.V. 100W	√	√	√	30	18.1	33.5*24.5*24
150W	√	√	√	20	16.8	33.5*24.5*24
200W	√	√	√	20	18.4	33.5*24.5*24
240W	√	√	√	15	15.3	33.5*24.5*24
50W	√	√	×	35	13.3	33.5*24.5*24
75W	√	√	×	30	15.6	33.5*24.5*24
H.V. 100W	√	√	√	30	18.1	33.5*24.5*24
150W	√	√	√	20	16.8	33.5*24.5*24
200W	√	√	√	20	18.4	33.5*24.5*24
240W	√	√	√	15	15.3	33.5*24.5*24



HVE SERIES

Isolated LED Street Light Drivers

FEATURES

INPUT VOLTAGE: 200-277VAC

OUTPUT VOLTAGE: 20-38VDC/32-56VDC/**HIGH VOLTAGE LOW CURRENT**

ELECTRICAL PERFORMANCE PARAMETERS: THD<10%/PF>0.95

SURGE PROTECTION GRADE: 6/10KV (≤75W: 4/6KV)

EFFICIENCY: 89%~91%

IP GRADE: IP67

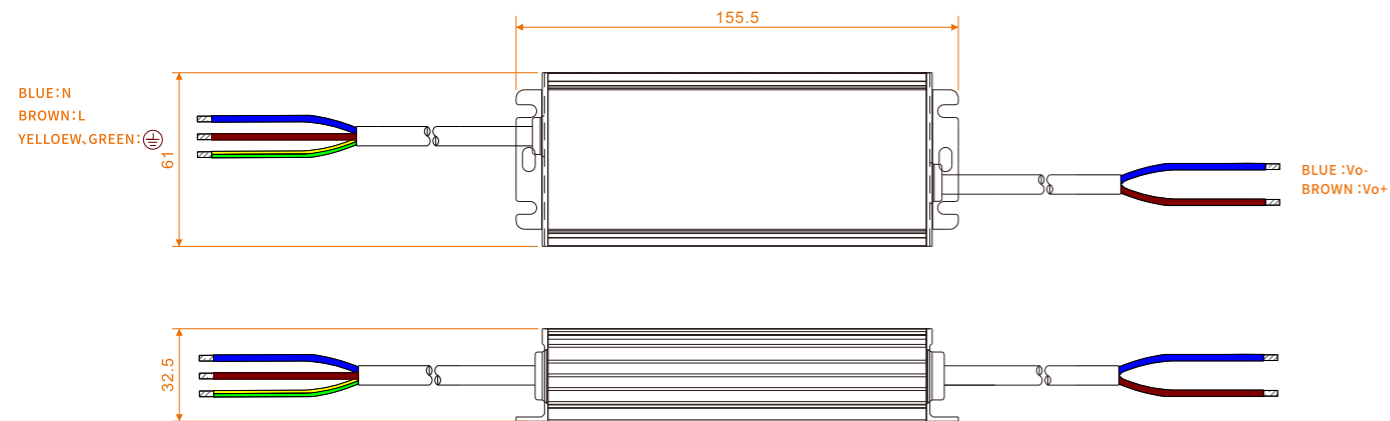
PROTECTIONS: INPUT UVP, OUTPUT SCP/OVP/OTP

GLOBAL CERTIFICATIONS: CE/CCC

WARRANTY: 5 YEARS



DIMENSION



▲ HVE-100H Dimension

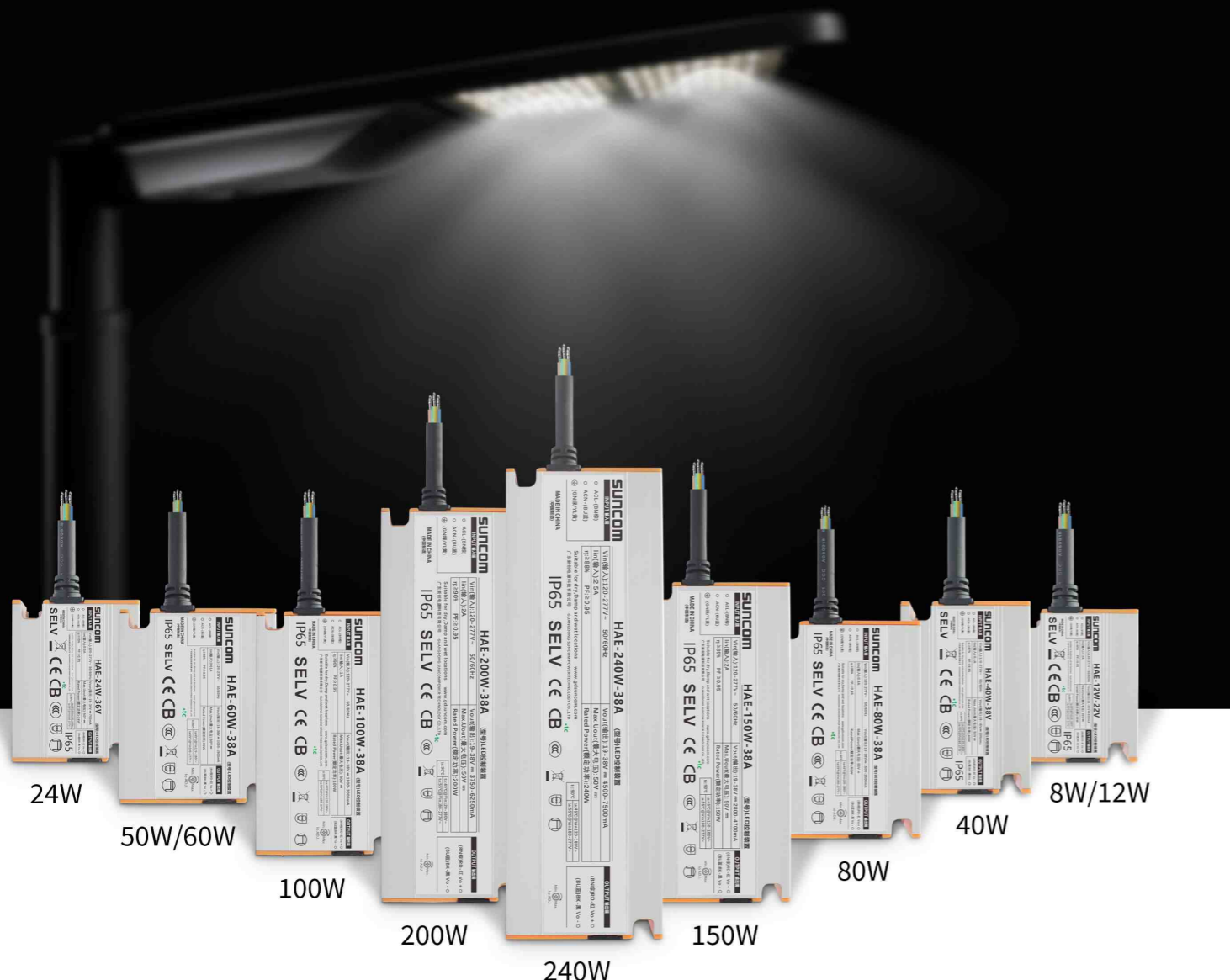
SPECIFICATIONS

30W / 50W / 75W / 100W / 150W / 200W / 240W

	Model	Rated Power	Input Voltage	Output Voltage	Output Current	Product Size	THD. (Typ)	PF. (Typ)
L. V.	HVE-30H-38*	30W	200-277V	20-38V	300-1000mA	109*61*32.5mm	<10%	>0.95
	HVE-50H-38*	50W	200-277V	20-38V	700-1600mA	109*61*32.5mm	<10%	>0.95
	HVE-75H-38*	75W	200-277V	20-38V	1300-2400mA	139.5*61*32.5mm	<10%	>0.95
	HVE-100H-38*	100W	200-277V	20-38V	1900-3200mA	155.5*61*32.5mm	<10%	>0.95
	HVE-150H-38*	150W	200-277V	20-38V	2600-4700mA	177.5*69*36.2mm	<10%	>0.95
	HVE-200H-38*	200W	200-277V	20-38V	3900-6300mA	210*69*36.2mm	<10%	>0.95
	HVE-240H-38*	240W	200-277V	20-38V	5200-7500mA	243*69*36.2mm	<10%	>0.95
N. V.	HVE-30H-56*	30W	200-277V	32-56V	200-750mA	109*61*32.5mm	<10%	>0.95
	HVE-50H-56*	50W	200-277V	32-56V	500-1200mA	109*61*32.5mm	<10%	>0.95
	HVE-75H-56*	75W	200-277V	32-56V	800-1800mA	139.5*61*32.5mm	<10%	>0.95
	HVE-100H-56*	100W	200-277V	32-56V	1300-2400mA	155.5*61*32.5mm	<10%	>0.95
	HVE-150H-56*	150W	200-277V	32-56V	1700-3600mA	177.5*69*36.2mm	<10%	>0.95
	HVE-200H-56*	200W	200-277V	32-56V	2600-4800mA	210*69*36.2mm	<10%	>0.95
	HVE-240H-56*	240W	200-277V	32-56V	3500-5800mA	243*69*36.2mm	<10%	>0.95
H. V.	HVE-50H-72*	50W	200-277V	36-72V	500-1050mA	109*61*32.5mm	<10%	>0.95
	HVE-75H-108*	75W	200-277V	54-108V	500-1050mA	139.5*61*32.5mm	<10%	>0.95
	HVE-100H-143*	100W	200-277V	71-143V	500-1050mA	155.5*61*32.5mm	<10%	>0.95
	HVE-150H-214*	150W	200-277V	107-214V	500-1050mA	177.5*69*36.2mm	<10%	>0.95
	HVE-200H-190*	200W	200-277V	95-190V	1050-1500mA	211*69*36mm	<10%	>0.95
	HVE-240H-228*	240W	200-277V	114-228V	1050-1500mA	240*69*36mm	<10%	>0.95

※ L.V.:Low output voltage N.V.: Normal output voltage H.V.:High output voltage (Specific size is subject to the real product)

Rated power	* Version			Packing		
	A-Adjustable potentiometer version	B-Three-in-one dimming version	C-12V auxiliary power version (no afterglow version)	Quantity(PCS)	Weight(KG)	Measure(CM)
30W	√	√	×	30	11.3	33.5*24.5*24
50W	√	√	×	30	11.4	33.5*24.5*24
75W	√	√	×	30	14.7	33.5*24.5*24
100W	√	√	×	30	16.8	33.5*24.5*24
150W	√	√	×	20	15.4	33.5*24.5*24
200W	√	√	×	20	18.2	33.5*24.5*24
240W	√	√	×	15	16.3	33.5*24.5*24



HAE SERIES

Special Isolated Driver For Small LED Street Light

FEATURES CLASS I & CLASS II/Patented Design/Compact Size **HOT PRODUCTS**

- INPUT VOLTAGE: 120-277VAC
- OUTPUT VOLTAGE: 19-38VDC/28-56VDC/HIGH VOLTAGE LOW CURRENT
- ELECTRICAL PERFORMANCE PARAMETERS: THD<10%/PF>0.95
- EFFICIENCY: 82%~91% IP GRADE: IP65
- PROTECTIONS: INPUT UVP, OUTPUT SCP/OVP/OLP/OTP
- CERTIFICATIONS: CE/CB/CCC
- WARRANTY: 5 YEARS
- ※ APPLICATIONS: SMALL STREET LIGHT, EXPLOSION-PROOF LIGHT AND OTHERS WITH COMPACT POWER CHAMBER

SPECIFICATIONS 8W / 12W / 24W / 40W / 50W / 60W / 80W / 100W / 150W / 200W / 240W

Model	Rated Power	Input Voltage	Output Voltage	Output Current	Product Size	THD. (Typ)	PF. (Typ)
HAE-8W-28V	8W	120-277V	14-28V	300mA	62*53*26mm	<10%	>0.95
HAE-12W-42V	12W	120-277V	21-42V	300mA	62*53*26mm	<10%	>0.95
HAE-12W-22V	12W	120-277V	11-22V	600mA	62*53*26mm	<10%	>0.95
HAE-24W-72V	24W	120-277V	36-72V	300mA	66*53*26mm	<10%	>0.95
HAE-24W-68V	24W	120-277V	34-68V	350mA	66*53*26mm	<10%	>0.95
HAE-24W-42V	24W	120-277V	21-42V	600mA	66*53*26mm	<10%	>0.95
HAE-24W-36V	24W	120-277V	19-36V	700mA	66*53*26mm	<10%	>0.95
HAE-40W-88V	40W	120-277V	44-88V	450mA	77*53*26mm	<10%	>0.95
HAE-40W-80V	40W	120-277V	40-80V	500mA	77*53*26mm	<10%	>0.95
HAE-40W-66V	40W	120-277V	33-66V	600mA	77*53*26mm	<10%	>0.95
HAE-40W-58V	40W	120-277V	29-58V	700mA	77*53*26mm	<10%	>0.95
HAE-40W-42V	40W	120-277V	21-42V	900mA	77*53*26mm	<10%	>0.95
HAE-40W-38V	40W	120-277V	19-38V	1050mA	77*53*26mm	<10%	>0.95
HAE-50W-86V	50W	120-277V	43-86V	600mA	78*64*32mm	<10%	>0.95
HAE-50W-72V	50W	120-277V	36-72V	700mA	78*64*32mm	<10%	>0.95
HAE-50W-56V	50W	120-277V	28-56V	900mA	78*64*32mm	<10%	>0.95
HAE-50W-48V	50W	120-277V	24-48V	1050mA	78*64*32mm	<10%	>0.95
HAE-50W-42V	50W	120-277V	21-42V	1200mA	78*64*32mm	<10%	>0.95
HAE-50W-38V	50W	120-277V	19-38V	1350mA	78*64*32mm	<10%	>0.95
HAE-50W-36V	50W	120-277V	18-36V	1500mA	78*64*32mm	<10%	>0.95
HAE-60W-86V	60W	120-277V	43-86V	700mA	78*64*32mm	<10%	>0.95
HAE-60W-66V	60W	120-277V	33-66V	900mA	78*64*32mm	<10%	>0.95
HAE-60W-58V	60W	120-277V	29-58V	1050mA	78*64*32mm	<10%	>0.95
HAE-60W-48V	60W	120-277V	24-48V	1200mA	78*64*32mm	<10%	>0.95
HAE-60W-42V	60W	120-277V	21-42V	1400mA	78*64*32mm	<10%	>0.95
HAE-60W-33V	60W	120-277V	17-33V	1800mA	78*64*32mm	<10%	>0.95
HAE-60W-38A	60W	120-277V	19-38V	1050-1900mA	78*64*32mm	<10%	>0.95
HAE-60W-56A	60W	120-277V	28-56V	750-1430mA	78*64*32mm	<10%	>0.95
HAE-60W-86A	60W	120-277V	43-86V	500-1050mA	78*64*32mm	<10%	>0.95
HAE-80W-112A	80W	120-277V	56-112V	500-1050mA	91*64*32mm	<10%	>0.95
HAE-80W-56A	80W	120-277V	28-56V	1050-1900mA	91*64*32mm	<10%	>0.95
HAE-80W-38A	80W	120-277V	19-38V	1500-2500mA	91*64*32mm	<10%	>0.95
HAE-100W-56A	100W	120-277V	28-56V	1500-2500mA	106*64*32mm	<10%	>0.95
HAE-100W-38A	100W	120-277V	19-38V	1800-3000mA	106*64*32mm	<10%	>0.95
HAE-150W-56A	150W	120-277V	28-56V	2100-3600mA	138*64*32mm	<10%	>0.95
HAE-150W-38A	150W	120-277V	19-38V	2800-4700mA	138*64*32mm	<10%	>0.95
HAE-200W-56A	200W	120-277V	28-56V	2700-4800mA	173*64*32mm	<10%	>0.95
HAE-200W-38A	200W	120-277V	19-38V	3750-6250mA	173*64*32mm	<10%	>0.95
HAE-240W-56A	240W	120-277V	28-56V	3500-5700mA	191*64*32mm	<10%	>0.95
HAE-240W-38A	240W	120-277V	19-38V	4500-7500mA	191*64*32mm	<10%	>0.95

※ V-Current not adjustable A-Adjustable potentiometer version (Specific size is subject to the real product)



GEP SERIES

Isolated LED Street Light Drivers

FEATURES

INPUT VOLTAGE: 100-277VAC

OUTPUT VOLTAGE: 25-36VDC/30-42VDC/34-54VDC/54-90VDC

ELECTRICAL PERFORMANCE PARAMETERS: THD<15%/PF>0.95

SURGE PROTECTION GRADE: 4/6KV

EFFICIENCY: 90%~91.5%

IP GRADE: IP65

PROTECTIONS: **INPUT OVP**, OUTPUT SCP/OVP/OTP

CERTIFICATION: CE

WARRANTY: 5 YEARS

※ NOTE: POWER WILL BE OFF AT 320V HIGH-VOLTAGE AND RESUME AFTER THE VOLTAGE IS NORMAL



SPECIFICATIONS

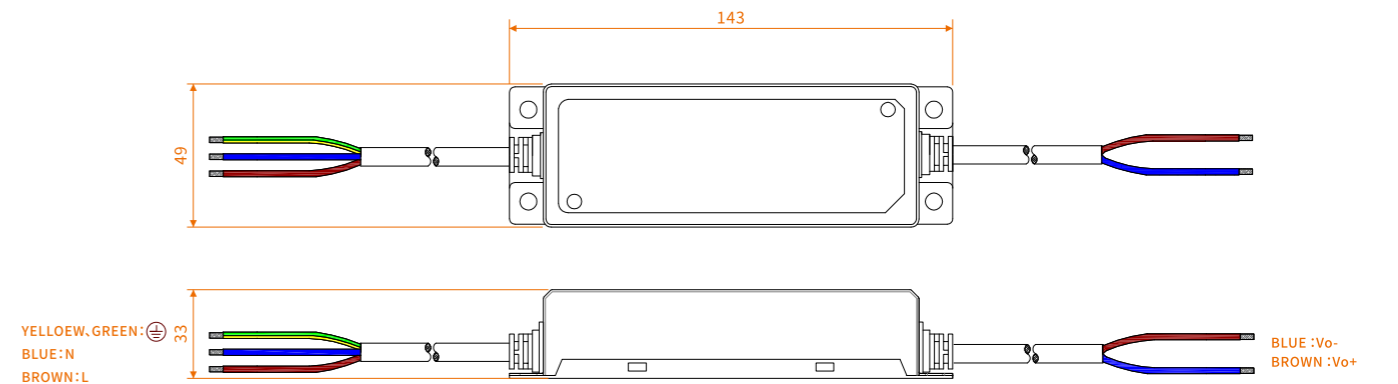
75W / 80W / 100W / 150W / 200W

Model	Rated Power	Input Voltage	Output Voltage	Output Current	Product Size	THD. (Typ)	PF. (Typ)
GEP-75-90	75W	100-277V	54-90V	790mA±5%	143*49*33mm	<15%	>0.95
GEP-80-42	80W	100-277V	25-42V	2200mA±5%	143*49*33mm	<15%	>0.95
GEP-100-36	100W	100-277V	25-36V	3000mA±5%	143*49*33mm	<15%	>0.95
GEP-100-42	100W	100-277V	30-42V	2500mA±5%	143*49*33mm	<15%	>0.95
GEP-100-54	100W	100-277V	34-54V	1900mA±5%	143*49*33mm	<15%	>0.95
GEP-100-90	100W	100-277V	54-90V	1100mA±5%	143*49*33mm	<15%	>0.95
GEP-150-36	150W	100-277V	25-36V	4500mA±5%	176*58*36mm	<15%	>0.95
GEP-150-42	150W	100-277V	30-42V	3700mA±5%	176*58*36mm	<15%	>0.95
GEP-150-54	150W	100-277V	34-54V	2800mA±5%	176*58*36mm	<15%	>0.95
GEP-150-90	150W	100-277V	54-90V	1700mA±5%	176*58*36mm	<15%	>0.95
GEP-200-36	200W	100-277V	25-36V	6000mA±5%	186*60*37mm	<15%	>0.95
GEP-200-42	200W	100-277V	30-42V	5000mA±5%	186*60*37mm	<15%	>0.95
GEP-200-54	200W	100-277V	34-54V	3700mA±5%	186*60*37mm	<15%	>0.95
GEP-200-90	200W	100-277V	54-90V	2200mA±5%	186*60*37mm	<15%	>0.95

(Specific size is subject to the real product)

Rated power	Packing			Rated power	Packing		
	Quantity(PCS)	Weight(KG)	Measure(CM)		Quantity(PCS)	Weight(KG)	Measure(CM)
70W	36	15.8	33.5*24.5*24	100W	25	16.3	33.5*24.5*24
75W	36	15.8	33.5*24.5*24	150W	25	18.8	33.5*24.5*24
80W	36	15.8	33.5*24.5*24	200W			33.5*24.5*24

DIMENSION



▲ GEP-100 Dimension



SCP SERIES

Isolated LED Street Light Drivers

FEATURES

TOP SALE

INPUT VOLTAGE: 100-277VAC

OUTPUT VOLTAGE: 28-56VDC/54-90VDC

ELECTRICAL PERFORMANCE PARAMETERS: THD<15%/PF>0.95

SURGE PROTECTION GRADE: 6/10KV

EFFICIENCY: 89.3%~91.5%

IP GRADE: IP65

PROTECTIONS: INPUT UVP (>75W), OUTPUT SCP/OVP/OTP

CERTIFICATION: CB (COMPLIANT WITH SASO2927 STREET LAMP STANDARD)

WARRANTY: 5 YEARS



SPECIFICATIONS

50W / 75W / 100W / 150W / 200W / 240W

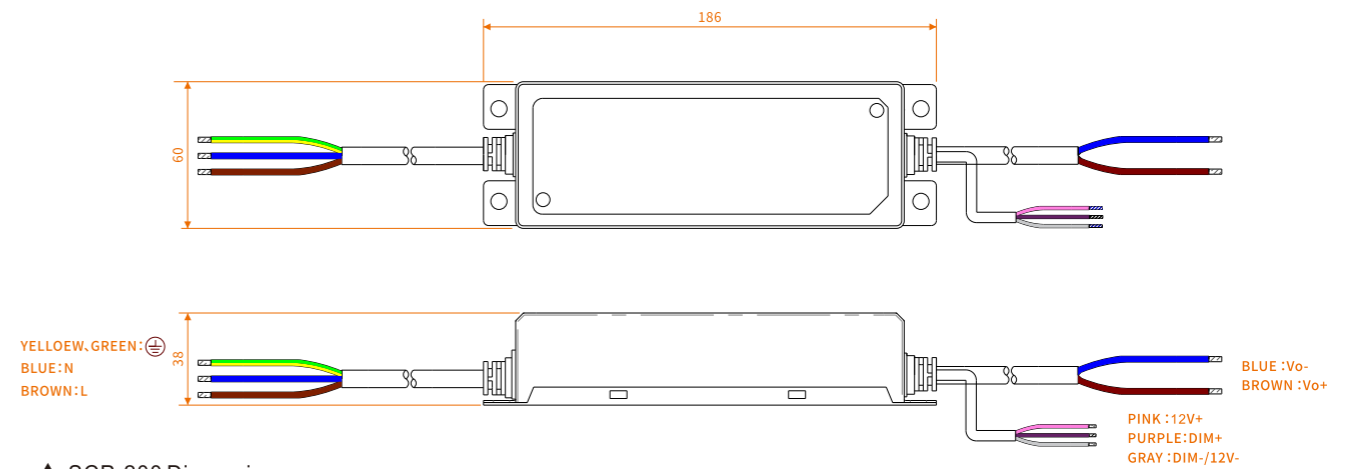
Model	Rated Power	Input Voltage	Output Voltage	Output Current	Product Size	THD. (Typ)	PF. (Typ)
SCP-50-56*	50W	100-277V	28-56V	800-1500mA	126*41*29mm	<15%	>0.95
SCP-75-56*	80W	100-277V	28-56V	1200-2200mA	143*49*33mm	<15%	>0.95
SCP-100-56*	100W	100-277V	28-56V	1600-3000mA	143*49*33mm	<15%	>0.95
SCP-150-56*	150W	100-277V	28-56V	2400-4500mA	176*58*36mm	<15%	>0.95
SCP-200-56*	200W	100-277V	28-56V	3000-6000mA	186*60*38mm	<15%	>0.95
SCP-240-56*	240W	100-277V	28-56V	3800-7200mA	211*67.5*38.5mm	<15%	>0.95
SCP-50-90*	50W	100-277V	54-90V	450-750mA	126*41*29mm	<15%	>0.95
SCP-75-90*	80W	100-277V	54-90V	700-1200mA	143*49*33mm	<15%	>0.95
SCP-100-90*	100W	100-277V	54-90V	800-1500mA	143*49*33mm	<15%	>0.95
SCP-150-90*	150W	100-277V	54-90V	1200-2300mA	176*58*36mm	<15%	>0.95
SCP-200-90*	200W	100-277V	54-90V	1600-3000mA	186*60*38mm	<15%	>0.95
SCP-240-90*	240W	100-277V	54-90V	1900-3600mA	211*67.5*38.5mm	<15%	>0.95

* N.V.: Normal output voltage H.V.: High output voltage

(Specific size is subject to the real product)

Rated power	* Version					Packing		
	A-Adjustable potentiometer version	B-Three-in-one dimming version	C-12V auxiliary power version	F-Time-controlled dimming	Quantity(PCS)	Weight(KG)	Measure(CM)	
50W	√	√	√	√	50	15.4	33.5*24.5*24	
75W	√	√	√	√	36	14.1	33.5*24.5*24	
100W	√	√	√	√	36	14.1	33.5*24.5*24	
150W	√	√	√	√	25	16.7	33.5*24.5*24	
200W	√	√	√	√	25	19.1	33.5*24.5*24	
240W	√	√	√	√	15	14.9	33.5*24.5*24	

DIMENSION



▲ SCP-200 Dimension

HDC SERIES

Isolated Flicker Free Bicolor LED Tunnel Light Drivers

FEATURES

INPUT VOLTAGE: 200-277VAC OUTPUT VOLTAGE: 27-56VDC
 ELECTRICAL PERFORMANCE PARAMETERS: THD<10%/PF>0.95
 SURGE PROTECTION GRADE: 6/10KV (≤75W: 4/6KV)
 EFFICIENCY: 89%~90% IP GRADE: IP67
 PROTECTIONS: INPUT UVP, OUTPUT SCP/OVP/OTP
 FEATURES: 0-5V NON-POLAR DIMMING AND COLOR TEMPERATURE (OPTIONAL: DIMMING OFF, 0-10V NON-POLAR DIMMING AND COLOR TEMPERATURE, PWM DIMMING AND COLOR ADJUSTMENT, POSITIVE AND NEGATIVE LOGIC DIMMING)
 CERTIFICATION: CCC WARRANTY: 5 YEARS



SPECIFICATIONS

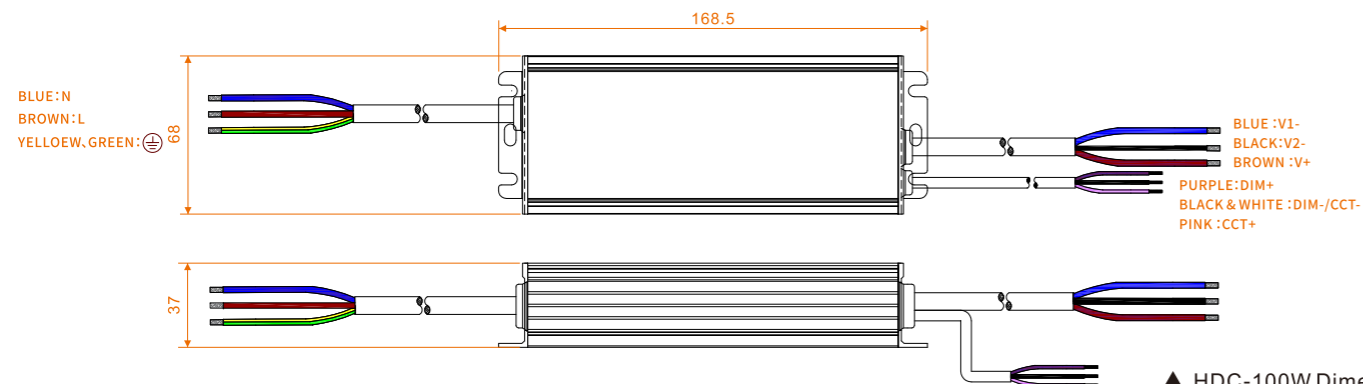
50W / 75W / 100W / 150W / 200W / 240W

Model	Rated Power	Input Voltage	Output Voltage	Output Current	Product Size	THD. (Typ)	PF. (Typ)
HDC-50W-56B	50W	200-277V	27-56V	2×450mA	138*56*32mm	<10%	>0.95
HDC-75W-56B	75W	200-277V	27-56V	2×700mA	167*61*32.5mm	<10%	>0.95
HDC-100W-56B	100W	200-277V	27-56V	2×900mA	168.5*68*37mm	<10%	>0.95
HDC-150W-56B	150W	200-277V	27-56V	2×1400mA	193*68*37mm	<10%	>0.95
HDC-200W-56B	200W	200-277V	27-56V	2×1800mA	247*68*37mm	<10%	>0.95
HDC-240W-56B	240W	200-277V	27-56V	2×2100mA	247*68*37mm	<10%	>0.95

※ Double circuits into 100%, single circuit adjustable from 5% to 100%
 (75W/100W/150W can be customized into four-circuit)

(Specific size is subject to the real product)

DIMENSION



▲ HDC-100W Dimension

SPD-10K

FEATURES

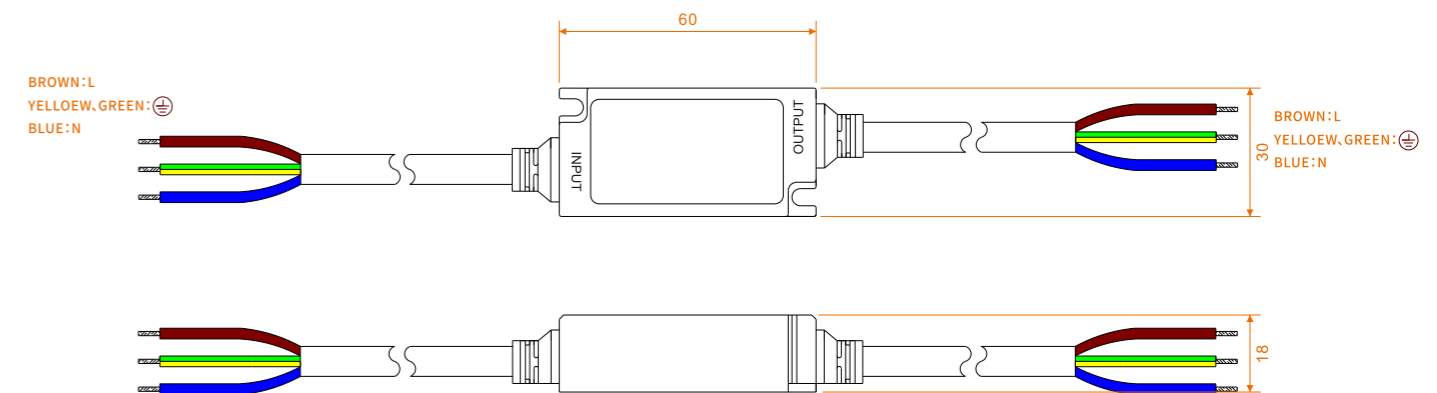
INPUT VOLTAGE: 100-277V~50/60HZ
 SURGE PROTECTION GRADE: DM10KV, CM15KV
 IP GRADE: IP65
 WARRANTY: 5 YEARS
 ※ ACCORDING TO IEC61643-1、GB18802.1 STANDARDS



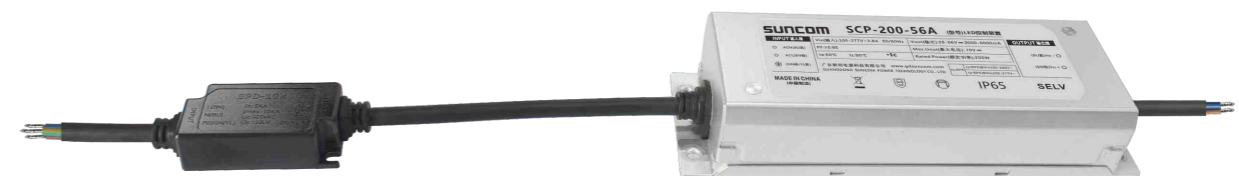
Technique Specifications

Parameter	Value	Parameter	Value
Rated input voltage(Uc)	100Vac~277Vac	Rated load current (IL)	5A
Maximum continuous operating voltage (Uc)	305Vac	Leakage current (Ir)	≤20μA
Impulse withstand of electrical(Uoc)	10KV	Response time (TA)	≤100ns
Nominal discharge current In(8/20μs)	5KA	Operating temperature	-40 ~ +65°C @ 100-305Vac
maximum discharge current Imax(8/20μs)	10KA	Operating humidity	20~90%RH, no condensation
Voltage protection level (Up)	1200V	Storage humidity and temperature	-40~+85°C, 10 ~ 90% RH
Vibration resistance	10~500Hz,5G12minutes/cycle, X-Y-Z axis 72 minutes each		

DIMENSION



▲ SPD-10K Dimension



※ Can offer customization service, "integration of surge protection and led driver" to reduce the secondary wiring process



SPECIFICATIONS

30W / 50W / 75W / 100W / 120W / 150W / 200W / 240W / 320W

	Model	Rated Power	Input Voltage	Output Voltage	Output Current	Product Size	THD. (Typ)	PF. (Typ)
N.V.	HVS-30W-150*	30W	100-277V	90-150V	150-300mA	109*56*32mm	<10%	>0.95
	HVS-50W-150*	50W	100-277V	90-150V	250-500mA	109*56*32mm	<10%	>0.95
	HVS-75W-150*	75W	100-277V	90-150V	350-750mA	159*56*32mm	<10%	>0.95
	HVS-100W-150*	100W	100-277V	90-150V	500-1000mA	159*56*32mm	<10%	>0.95
	HVS-120W-150*	120W	100-277V	90-150V	600-1200mA	162*56*32mm	<10%	>0.95
	HVS-150W-150*	150W	100-277V	90-150V	750-1500mA	162*56*32mm	<10%	>0.95
	HVS-200W-150*	200W	100-277V	90-150V	1000-2000mA	179*68*37mm	<10%	>0.95
H.V.	HVS-30W-260*	30W	100-277V	180-260V	70-150mA	109*56*32mm	<10%	>0.95
	HVS-50W-260*	50W	100-277V	180-260V	120-250mA	109*56*32mm	<10%	>0.95
	HVS-75W-260*	75W	100-277V	180-260V	180-380mA	159*56*32mm	<10%	>0.95
	HVS-100W-260*	100W	100-277V	180-260V	250-500mA	159*56*32mm	<10%	>0.95
	HVS-120W-260*	120W	100-277V	180-260V	300-600mA	162*56*32mm	<10%	>0.95
	HVS-150W-260*	150W	100-277V	180-260V	400-750mA	162*56*32mm	<10%	>0.95
	HVS-200W-260*	200W	100-277V	180-260V	600-1000mA	179*68*37mm	<10%	>0.95
	HVS-240W-260*	240W	100-277V	180-260V	750-1200mA	179*68*37mm	<10%	>0.95
	HVS-320W-260*	320W	100-277V	180-260V	900-1600mA	214*68*37mm	<10%	>0.95

※ N.V.: Normal output voltage H.V.:High output voltage

(Specific size is subject to the real product)

FEATURES

HOT PRODUCTS

INPUT VOLTAGE: 100-277VAC

OUTPUT VOLTAGE: 90-150VDC/180-260VDC

ELECTRICAL PERFORMANCE PARAMETERS: THD<10%/PF>0.95

SURGE PROTECTION GRADE: 6/10KV (<75W: 4/6KV)

EFFICIENCY: 90%~95.5%

IP GRADE: IP67

PROTECTIONS: INPUT UVP, OUTPUT SCP/OVP/OLP/OTP

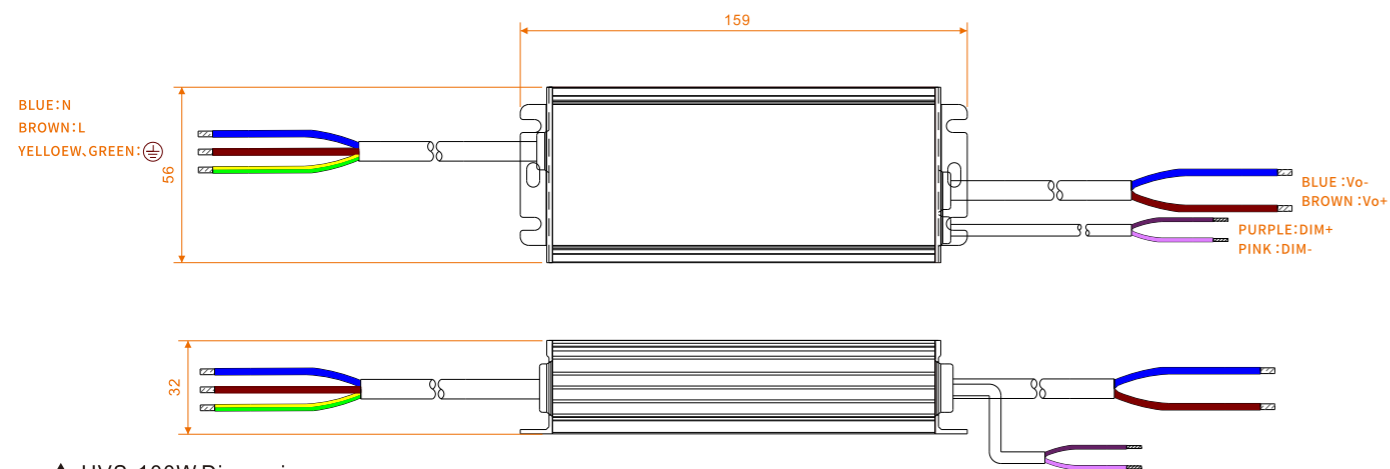
CERTIFICATIONS: ENEC/CE/CB/CCC

(C VERSION COMPLY WITH THE NEW ERP STANDARD)

WARRANTY: 5 YEARS

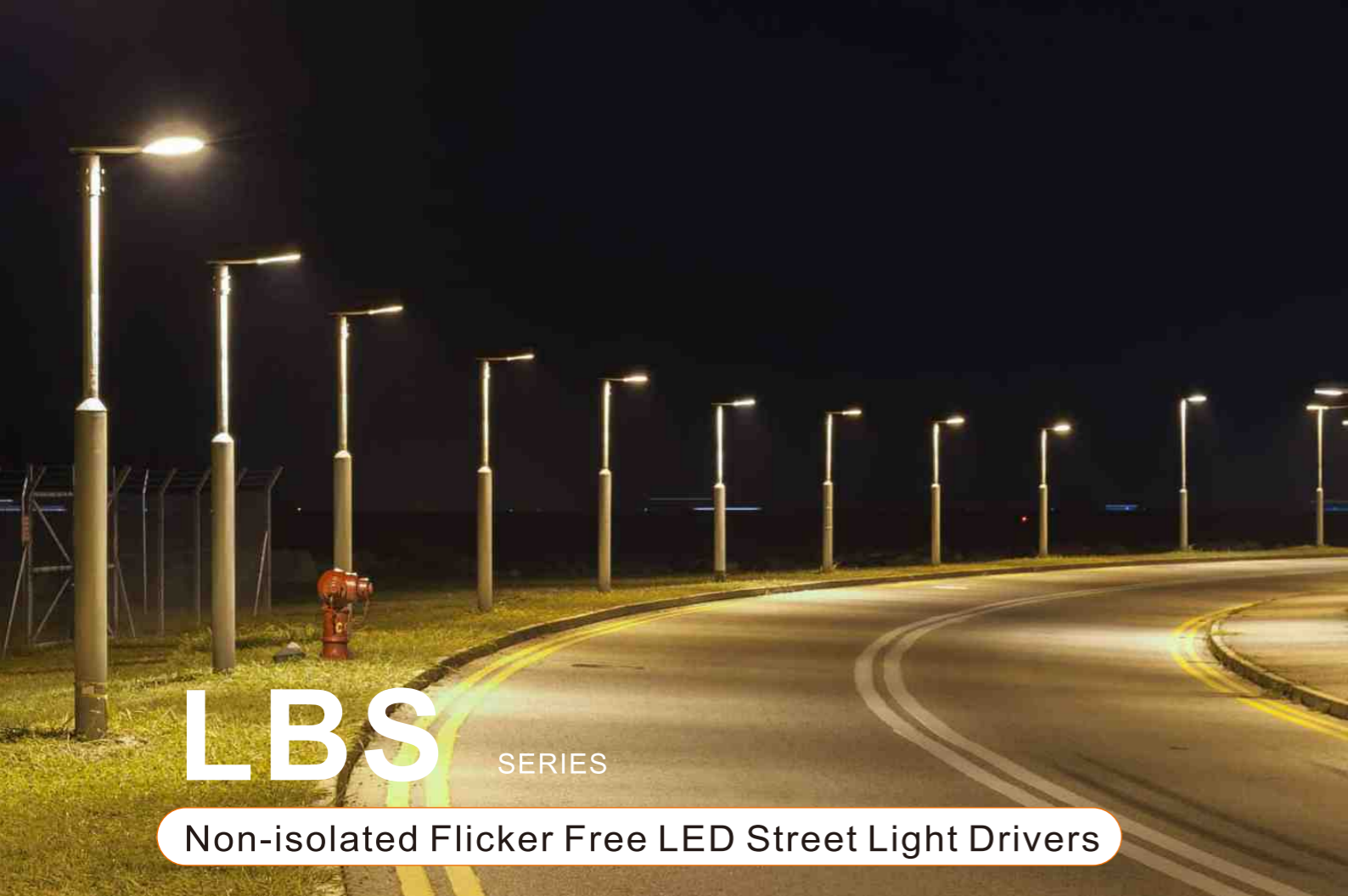


DIMENSION



▲ HVS-100W Dimension

Rated power	* Version				Packing		
	A-Adjustable potentiometer version	B-Three-in-one dimming version	C-12V auxiliary power version (No afterglow version)	XP-12V auxiliary power version (With afterglow version)	Quantity(PCS)	Weight(KG)	Measure(CM)
30W	√	√	×	√	30	10.9	33.5*24.5*24
50W	√	√	×	√	30	10.9	33.5*24.5*24
75W	√	√	√	√	30	15.0	33.5*24.5*24
100W	√	√	√	√	30	15.1	33.5*24.5*24
120W	√	√	√	√	30	15.3	33.5*24.5*24
150W	√	√	√	√	30	16.0	33.5*24.5*24
200W	√	√	√	√	20	15.6	33.5*24.5*24
240W	√	√	√	√	20	15.6	33.5*24.5*24
320W	√	√	√	√	15	14.8	33.5*24.5*24

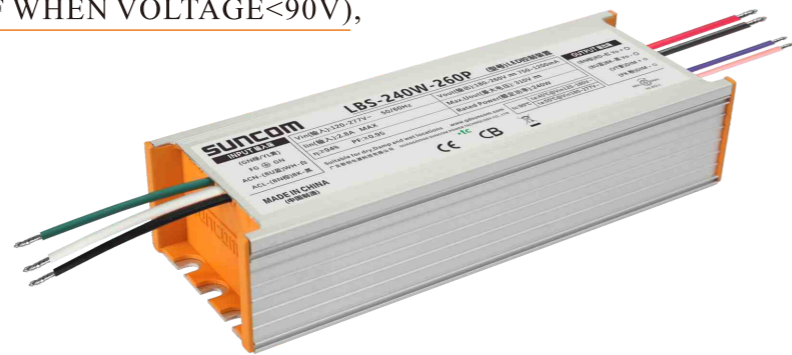


LBS SERIES

Non-isolated Flicker Free LED Street Light Drivers

FEATURES

- INPUT VOLTAGE: 120-270VAC (INPUT VOLTAGE 100-120VAC, POWER DECREASE INTO 80%)
- OUTPUT VOLTAGE: 80-150VDC/180-260VDC
- ELECTRICAL PERFORMANCE PARAMETERS: THD<10%/PF>0.95
- PROTECTIONS: INPUT UVP (POWER OFF WHEN VOLTAGE<90V), OUTPUT SCP/OVP/OTP
- CERTIFICATIONS: CE/CB/CCC
- SURGE PROTECTION GRADE: 4/6KV
- EFFICIENCY: 90%~95.5%
- IP GRADE: IP42
- WARRANTY: 5 YEARS
- REMARK: FOR BUILT-IN USE ONLY, LAMP HOUSING NEED TO BE WATERPROOF



HOT PRODUCTS

SPECIFICATIONS

40W / 60W / 80W / 100W / 120W / 150W / 200W / 240W / 320W

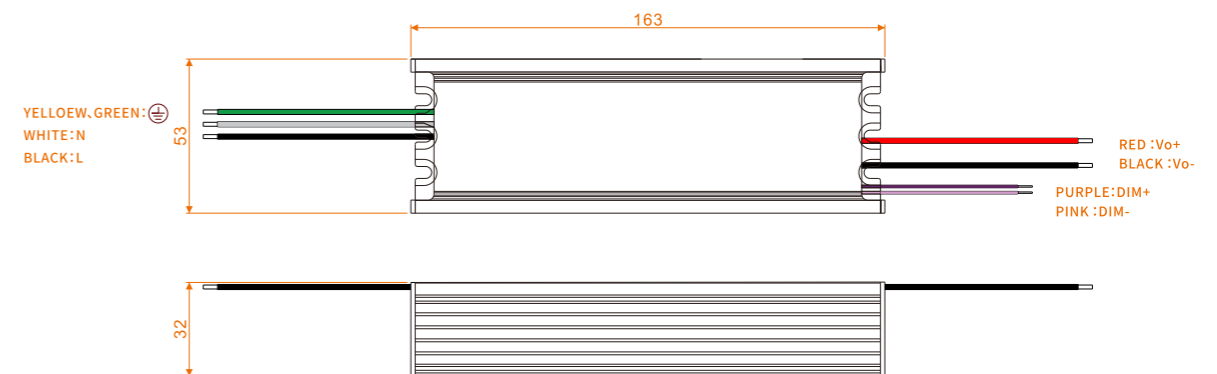
	Model	Rated Power	Input Voltage	Output Voltage	Constant Power Voltage	Output Current	Product Size	THD. (Typ)	PF. (Typ)
N.V.	LBS-40W-150*	40W	120-277V	80-150V	100-150V	150-300mA	105*53*31mm	<10%	>0.95
	LBS-60W-150*	60W	120-277V	80-150V	100-150V	250-500mA	105*53*31mm	<10%	>0.95
	LBS-80W-150*	80W	120-277V	80-150V	100-150V	350-750mA	155*53*31mm	<10%	>0.95
	LBS-100W-150*	100W	120-277V	80-150V	100-150V	500-1000mA	155*53*31mm	<10%	>0.95
H.V.	LBS-120W-260*	120W	120-277V	180-260V	200-260V	300-600mA	163*53*32mm	<10%	>0.95
	LBS-150W-260*	150W	120-277V	180-260V	200-260V	400-750mA	163*53*32mm	<10%	>0.95
	LBS-200W-260*	200W	120-277V	180-260V	200-260V	600-1000mA	188*61*37mm	<10%	>0.95
	LBS-240W-260*	240W	120-277V	180-260V	200-260V	750-1200mA	188*61*37mm	<10%	>0.95
	LBS-320W-260*	320W	120-277V	180-260V	200-260V	900-1600mA	218*61*37mm	<10%	>0.95

* N.V.: Normal output voltage H.V.: High output voltage

(Specific size is subject to the real product)

Rated power	* Version			Packing		
	A-Adjustable potentiometer version	P-Off-line programming dimming version	L-Light controlled version	Quantity(PCS)	Weight(KG)	Measure(CM)
40W	√	√	√			
60W	√	√	√			
80W	√	√	√			
100W	√	√	√			
120W	√	√	√			
150W	√	√	√			
200W	√	√	√			
240W	√	√	√			
320W	√	√	√			

DIMENSION



▲ LBS-150W Dimension



LVS SERIES

Non-isolated Flicker Free LED UFO Drivers

FEATURES

HOT PRODUCTS

INPUT VOLTAGE: 100-277VAC

OUTPUT VOLTAGE: 100-180VDC/180-260VDC

ELECTRICAL PERFORMANCE PARAMETERS: THD<10%/PF>0.95/

COMMON MODE RESIDUAL VOLTAGE<3KV

PROTECTIONS: OUTPUT SCP/OVP/OTP

GLOBAL CERTIFICATIONS: ENEC-CE/SAA/CCC/CUL/UL/FCC/CB/CLASS P

(C VERSION IS COMPLIANT WITH NEW ERP STANDARD)

SURGE PROTECTION GRADE: 6/10KV

EFFICIENCY: 94%~95.5%

IP GRADE: IP65

WARRANTY: 5 YEARS

REMARK: WITHSTANDING VOLTAGE FOR LAMP BOARD≥3KV,

CREEPAGE DISTANCE ≥3.5MM(PCBA OPTIONAL, 3 YEARS WARRANTY)

※ NOTE: INSTALLATION HOLE DIAMETER IS 113MM



SPECIFICATIONS

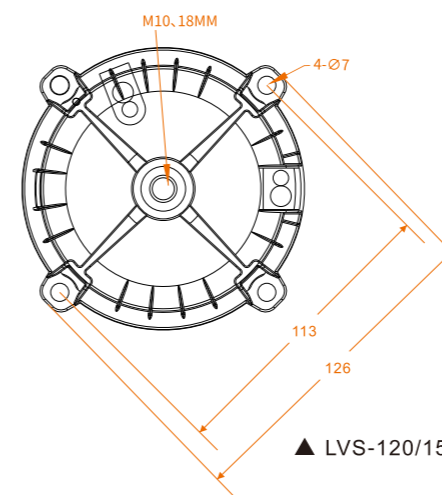
120W / 150W / 200W / 240W

Model	Rated Power	Input Voltage	Output Voltage	Output Current	Product Size	THD. (Typ)	PF. (Typ)
LVS-120W-180*	120W	100-277V	100-180V	500-950mA	φ126*56mm	<10%	>0.95
LVS-150W-180*	150W	100-277V	100-180V	750-1400mA	φ126*56mm	<10%	>0.95
LVS-200W-180*	200W	100-277V	100-180V	1000-1800mA	φ127*60mm	<10%	>0.95
LVS-240W-180*	240W	100-277V	100-180V	1200-2200mA	φ127*60mm	<10%	>0.95
LVS-120W-260*	120W	100-277V	180-260V	350-600mA	φ126*56mm	<10%	>0.95
LVS-150W-260*	150W	100-277V	180-260V	450-750mA	φ126*56mm	<10%	>0.95
LVS-200W-260*	200W	100-277V	180-260V	600-1000mA	φ127*60mm	<10%	>0.95
LVS-240W-260*	240W	100-277V	180-260V	750-1200mA	φ127*60mm	<10%	>0.95

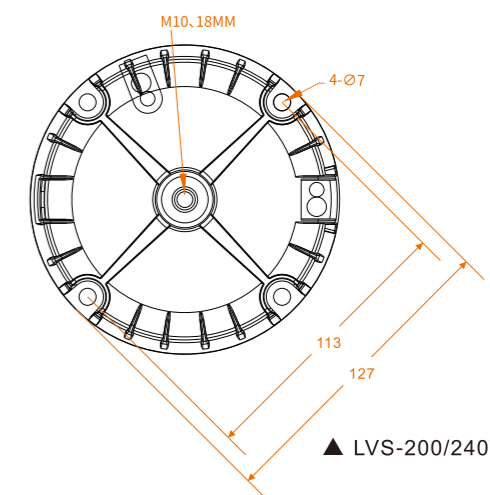
(Specific size is subject to the real product)

Rated power	* Version			Packing		
	A-Adjustable potentiometer version	B-Three-in-one dimming version	C-12V auxiliary power version (no afterglow version)	Quantity(PCS)	Weight(KG)	Measure(CM)
120W	√	√	√	15	9.5	43*43*16
150W	√	√	√	15	9.5	43*43*16
200W	√	√	√	15	13.7	43*43*16
240W	√	√	√	15	13.7	43*43*16

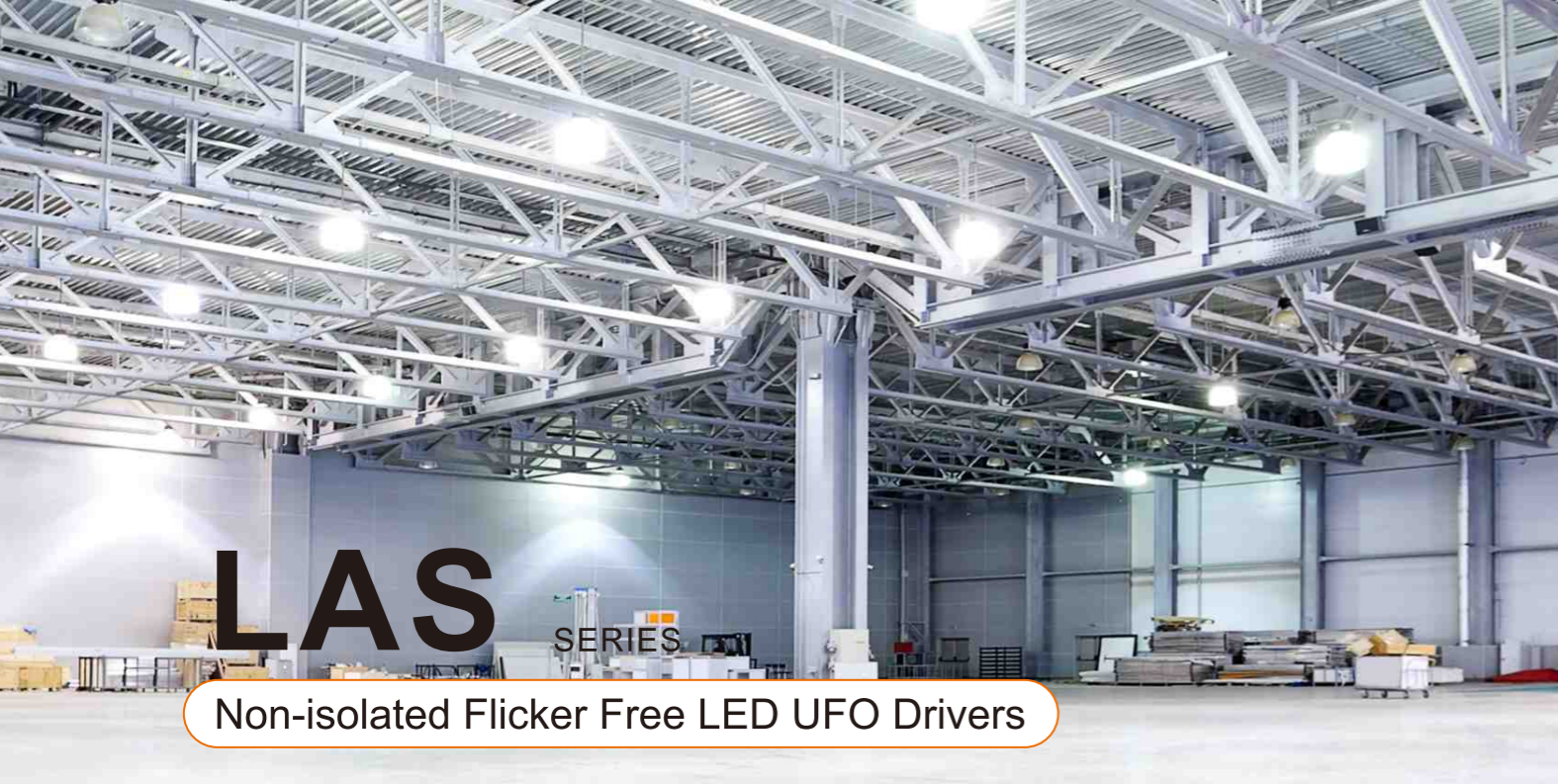
DIMENSION



▲ LVS-120/150W dimension



▲ LVS-200/240W dimension



LAS SERIES

Non-isolated Flicker Free LED UFO Drivers

FEATURES

INPUT VOLTAGE: 200-240VAC

OUTPUT VOLTAGE: 410-470VDC

ELECTRICAL PERFORMANCE PARAMETERS: THD<15%/PF>0.95/

COMMON MODE RESIDUAL VOLTAGE<2.5KV/96% EFFICIENCY

PROTECTIONS: INPUT UVP, OUTPUT SCP/OTP/OVP

CERTIFICATIONS: CE/CB/CCC

SURGE PROTECTION GRADE: 4/6KV

EFFICIENCY: 95%~96%

IP GRADE: IP42 (IP65 OPTION)

WARRANTY: 5 YEARS

REMARK: WITHSTANDING VOLTAGE FOR LAMP BOARD≥3KV,

CREEPAGE DISTANCE ≥4.5MM(PCBA OPTIONAL, 3 YEARS WARRANTY)

※ NOTE: INSTALLATION HOLE DIAMETER IS 113MM



SPECIFICATIONS

50W / 80W / 100W / 120W / 150W / 200W / 240W

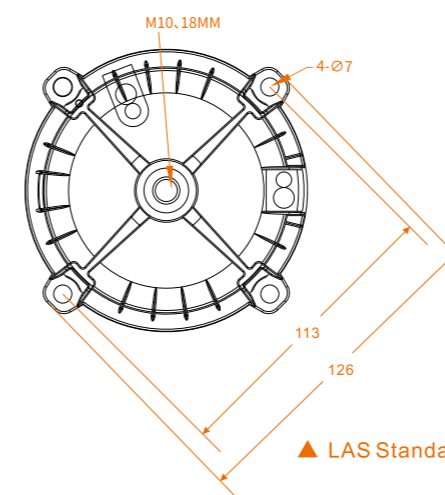
Model	Rated Power	Input Voltage	Output Voltage	Output Current	Product Size	THD. (Typ)	PF. (Typ)
LAS-50H-470A	50W	200-240V	410-470V	90-130mA	φ126*56mm	<15%	>0.95
LAS-80H-470A	80W	200-240V	410-470V	150-200mA	φ126*56mm	<15%	>0.95
LAS-100H-470A	100W	200-240V	410-470V	200-250mA	φ126*56mm	<15%	>0.95
LAS-120H-470A	120W	200-240V	410-470V	240-300mA	φ126*56mm	<15%	>0.95
LAS-150H-470A	150W	200-240V	410-470V	300-380mA	φ126*56mm	<15%	>0.95
LAS-200H-470A	200W	200-240V	410-470V	400-500mA	φ126*56mm	<15%	>0.95
LAS-240H-470A	240W	200-240V	410-470V	480-600mA	φ126*56mm	<15%	>0.95

※ LAS-240H-470A under development

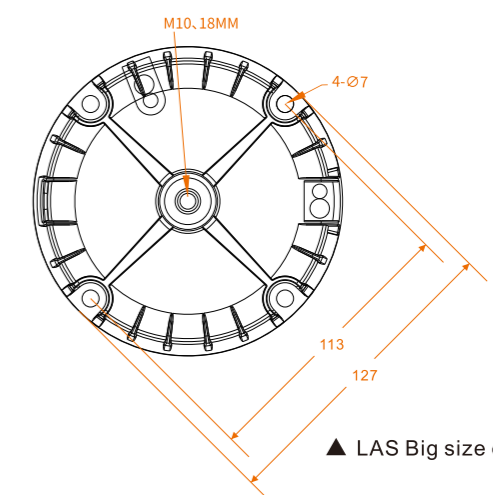
(Specific size is subject to the real product)

Rated power	* Version			Packing		
	A-Adjustable potentiometer version	B-Three-in-one dimming version	C-12V auxiliary power version (no afterglow version)	Quantity(PCS)	Weight(KG)	Measure(CM)
50W	√	×	×	15	7.1	43*43*13.2
80W	√	×	×	15	7.1	43*43*13.2
100W	√	×	×	15	7.2	43*43*13.2
120W	√	×	×	15	7.2	43*43*13.2
150W	√	×	×	15	7.8	43*43*13.2
200W	√	×	×	15	8.1	43*43*13.2
240W	√	×	×			43*43*13.2

DIMENSION



▲ LAS Standard sized shell



▲ LAS Big size optional



LAG SERIES

Non-isolated LED UFO Drivers

FEATURES

INPUT VOLTAGE: 200-240VAC

OUTPUT VOLTAGE: 410-450VDC/410-470VDC

ELECTRICAL PERFORMANCE PARAMETERS: THD<15%/PF>0.95/

COMMON MODE RESIDUAL VOLTAGE<2.5KV/97% EFFICIENCY

PROTECTIONS: INPUT UVP, OUTPUT OTP/OVP

CERTIFICATIONS: CE/CB/CCC

SURGE PROTECTION GRADE: 4/6KV

EFFICIENCY: 96%~97%

IP GRADE: IP42 (IP65 OPTION)

WARRANTY: 5 YEARS

REMARK: WITHSTANDING VOLTAGE FOR LAMP BOARD≥3KV,

CREEPAGE DISTANCE ≥4.5MM(PCBA OPTIONAL, 3 YEARS WARRANTY)

※ NOTE: INSTALLATION HOLE DIAMETER IS 113MM



SPECIFICATIONS

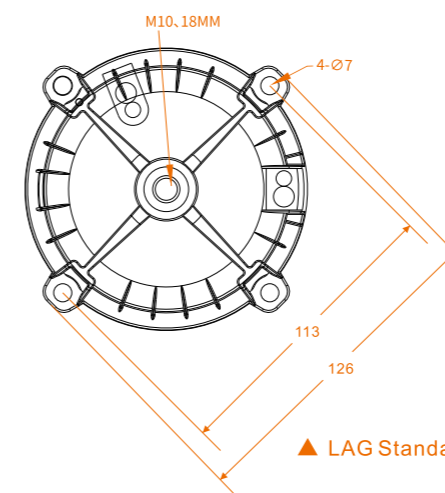
50W / 80W / 100W / 120W / 150W / 200W / 240W

Model	Rated Power	Input Voltage	Output Voltage	Output Current	Product Size	THD. (Typ)	PF. (Typ)
LAG-50H-450A	50W	200-240V	410-450V	90-130mA	φ126*56mm	<15%	>0.95
LAG-80H-450A	80W	200-240V	410-450V	150-200mA	φ126*56mm	<15%	>0.95
LAG-100H-450A	100W	200-240V	410-450V	200-250mA	φ126*56mm	<15%	>0.95
LAG-120H-450A	120W	200-240V	410-450V	240-300mA	φ126*56mm	<15%	>0.95
LAG-150H-450A	150W	200-240V	410-450V	300-380mA	φ126*56mm	<15%	>0.95
LAG-200H-450A	200W	200-240V	410-450V	400-500mA	φ126*56mm	<15%	>0.95
LAG-240H-450A	240W	200-240V	410-450V	480-600mA	φ126*56mm	<15%	>0.95

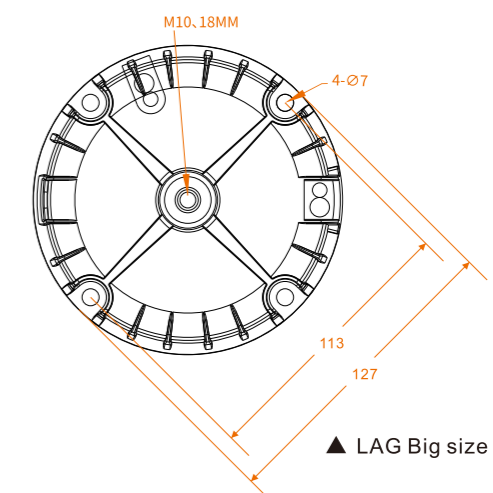
(Specific size is subject to the real product)

Rated power	* Version			Packing		
	A-Adjustable potentiometer version	B-Three-in-one dimming version	C-12V auxiliary power version (no afterglow version)	Quantity(PCS)	Weight(KG)	Measure(CM)
50W	√	×	×	15	7.0	43*43*13.2
80W	√	×	×	15	7.0	43*43*13.2
100W	√	×	×	15	7.1	43*43*13.2
120W	√	×	×	15	7.1	43*43*13.2
150W	√	×	×	15	7.7	43*43*13.2
200W	√	×	×	15	8.0	43*43*13.2
240W	√	×	×	15	8.0	43*43*13.2

DIMENSION



▲ LAG Standard sized shell



▲ LAG Big size optional



SPECIFICATIONS

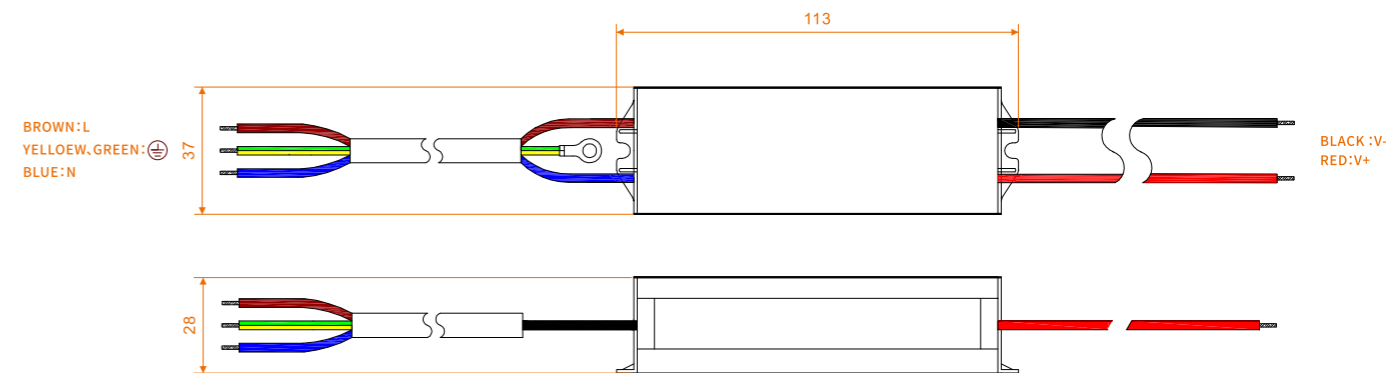
50W / 60W

	Rated Power	Input Voltage	Output Voltage	Output Current	Product Size	Surge	PF. (Typ)
GAE-50W600-87	50W	100-277V	54-87V	600mA±5%	113*37*28mm	6KV	>0.95
GAE-50W900-56	50W	100-277V	34-56V	900mA±5%	113*37*28mm	6KV	>0.95
GAE-50W1A2-45	50W	100-277V	23-45V	1200mA±5%	113*37*28mm	6KV	>0.95
GAE-50W1A35-38	50W	100-277V	22-38V	1350mA±5%	113*37*28mm	6KV	>0.95
GAE-50W1A5-38	50W	100-277V	22-38V	1500mA±5%	113*37*28mm	6KV	>0.95
GAE-60W1A8-38	60W	100-277V	22-38V	1800mA±5%	113*37*28mm	6KV	>0.95

(Specific size is subject to the real product)

Rated power	Packing		
	Quantity(PCS)	Weight(KG)	Measure(CM)
50W	50	8.7	33.5*22*21
60W	50	8.7	33.5*22*21

DIMENSION



▲ GAE-50W Dimension

FEATURES

FEATURES: ISOLATED, CONSTANT CURRENT OUTPT (HIGH PF, WITH FLICKER)

APPLICATIONS: STREET LIGHT, FLOOD LIGHT, HIGH BAY LIGHT AND OTHER OUTDOOR LIGHTINGS

INPUT VOLTAGE: 100-277VAC

FUNCTIONS: INPUT OVP, OUTPUT OCP, SCP, OTP

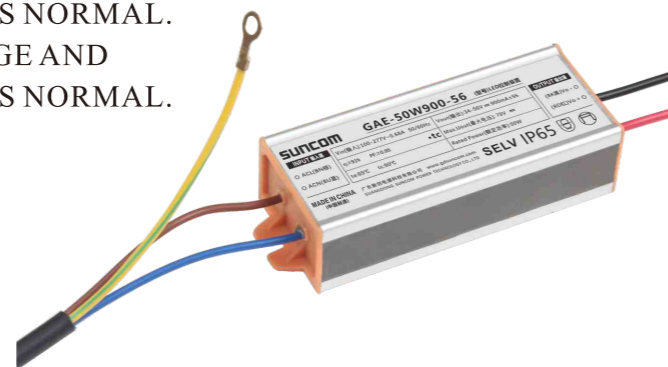
IP GRADE: IP65

WARRANTY: 3 YEARS

※ GAE-50W INPUT UVP/OVP:

※ POWER WILL BE OFF AT 100V LOW-VOLTAGE AND RESUMES OPERATION AFTER THE VOLTAGE IS NORMAL.

※ POWER WILL BE OFF AT 325V HIGH-VOLTAGE AND RESUMES OPERATION AFTER THE VOLTAGE IS NORMAL.





GPE SERIES

High PF Isolated Semi-Aluminum Waterproof LED Drivers

SPECIFICATIONS

36W / 50W

Model	Rated Power	Input Voltage	Output Voltage	Output Current	Product Size	Surge	PF. (Typ)
GPE-36W250-122	36W	100-277V	68-122V	250mA±5%	106*32*24mm	4KV	>0.95
GPE-36W300-122	36W	100-277V	68-122V	300mA±5%	106*32*24mm	4KV	>0.95
GPE-36W600-63	36W	100-277V	34-63V	600mA±5%	106*32*24mm	4KV	>0.95
GPE-36W900-42	36W	100-277V	24-42V	900mA±5%	106*32*24mm	4KV	>0.95
GPE-50W600-87	50W	100-277V	54-87V	600mA±5%	103*37*24mm	4KV	>0.95
GPE-50W900-56	50W	100-277V	34-56V	900mA±5%	103*37*24mm	4KV	>0.95
GPE-50W1A2-45	50W	100-277V	23-45V	1200mA±5%	103*37*24mm	4KV	>0.95
GPE-50W1A35-38	50W	100-277V	22-38V	1350mA±5%	103*37*24mm	4KV	>0.95
GPE-50W1A5-38	50W	100-277V	22-38V	1500mA±5%	103*37*24mm	4KV	>0.95
GPE-50I900-56	50W	180-277V	34-56V	900mA±5%	103*37*24mm	4KV	>0.95
GPE-50I1A2-45	50W	180-277V	23-45V	1200mA±5%	103*37*24mm	4KV	>0.95
GPE-50I1A35-38	50W	180-277V	22-38V	1350mA±5%	103*37*24mm	4KV	>0.95
GPE-50I1A5-38	50W	180-277V	22-38V	1500mA±5%	103*37*24mm	4KV	>0.95

(Specific size is subject to the real product)

Rated power	Packing		
	Quantity(PCS)	Weight(KG)	Measure(CM)
36W	60	9.1	33.5*22*21
50W	50	8.5	33.5*22*21

FEATURES

APPLICATION: BUILT-IN LAMPS SUCH AS GARDEN LIGHTS, LAWN LIGHTS, FLOOD LIGHTS, THREE-PROOF LIGHTS, WALL WASHERS, ETC.

INPUT VOLTAGE: 100-277VAC

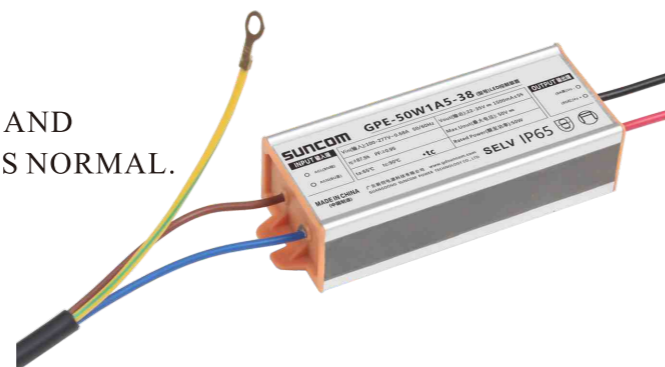
PROTECTIONS: OUTPUT OCP/SCP/OTP

IP GRADE: IP65

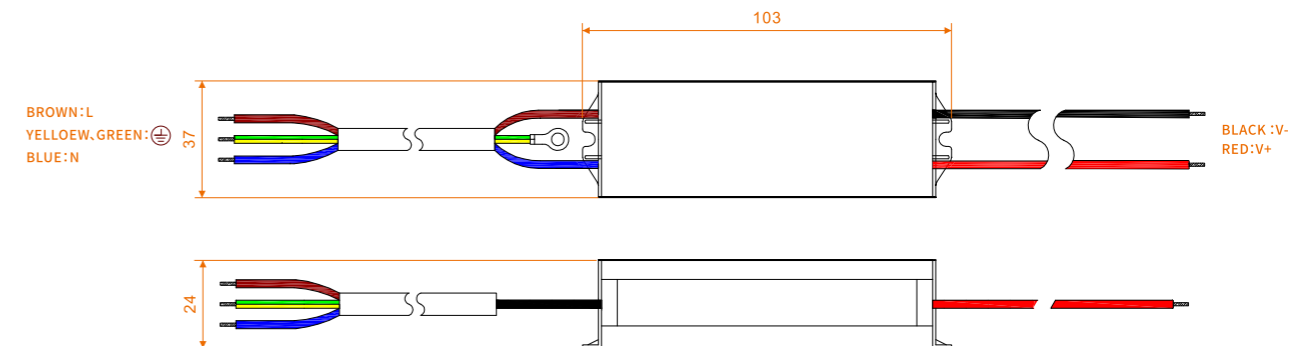
WARRANTY: 2 YEARS

※ GPE-50W INPUT OVP:

POWER WILL BE OFF AT 320V HIGH-VOLTAGE AND RESUMES OPERATION AFTER THE VOLTAGE IS NORMAL.



DIMENSION



▲ GPE-50W Dimension



GSE SERIES

Low PF Isolated Semi-Aluminum Waterproof LED Drivers

FEATURES

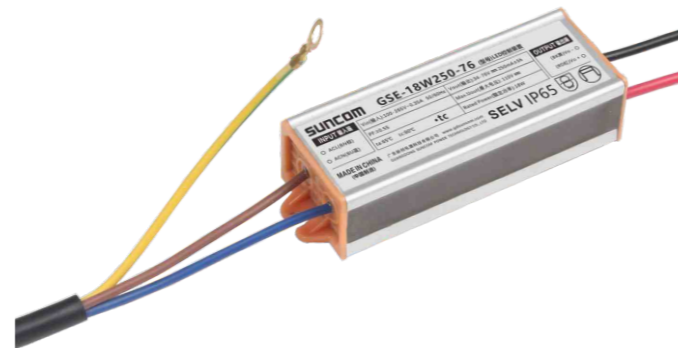
APPLICATION: BUILT-IN LAMPS SUCH AS GARDEN LIGHTS, LAWN LIGHTS, FLOOD LIGHTS, THREE-PROOF LIGHTS, WALL WASHERS, ETC.

INPUT VOLTAGE: 100-265VAC

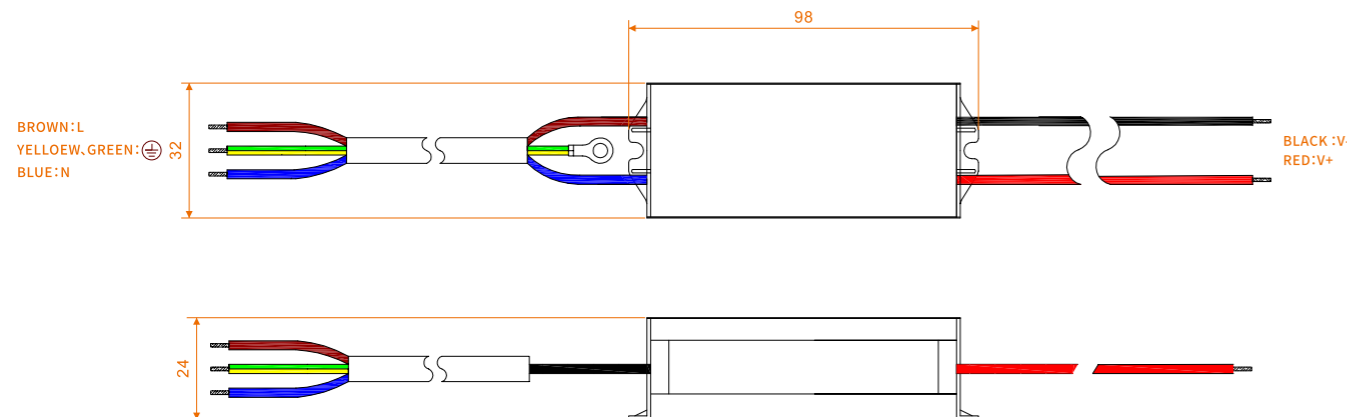
PROTECTIONS: OUTPUT OCP / SCP / OTP

IP GRADE: IP65

WARRANTY: 2 YEARS



DIMENSION



▲ GSE-24W Dimension

SPECIFICATIONS

5W / 8W / 12W / 18W / 20W / 24W / 30W

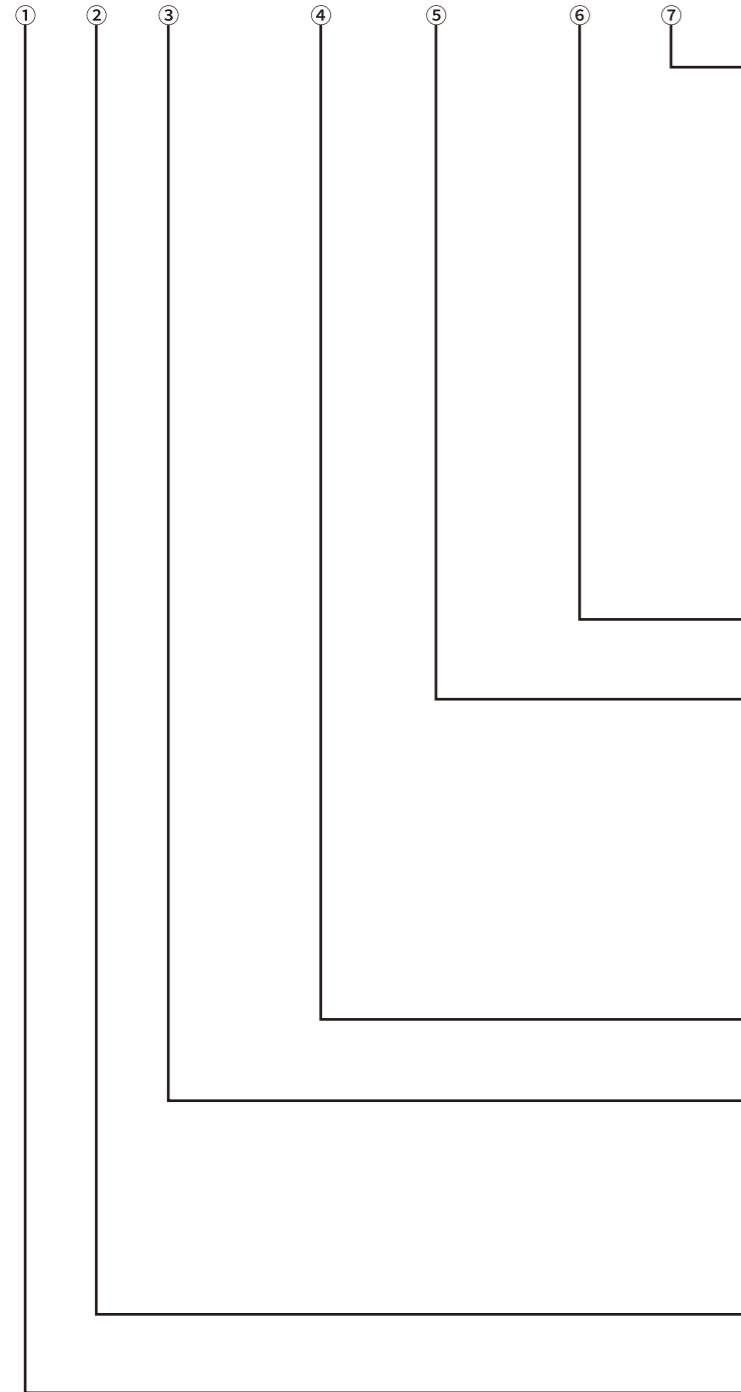
Model	Rated Power	Input Voltage	Output Voltage	Output Current	Product Size	Surge
GSE-5W250-20	5W	100-265V	9-20V	250mA±5%	66*30*20mm	1KV
GSE-5W300-18	5W	100-265V	9-18V	300mA±5%	66*30*20mm	1KV
GSE-8W250-28	8W	100-265V	12-28V	250mA±5%	72*30*20mm	1.5KV
GSE-8W300-28	8W	100-265V	12-28V	300mA±5%	72*30*20mm	1.5KV
GSE-8W350-24	8W	100-265V	12-24V	350mA±5%	72*30*20mm	1.5KV
GSE-8W450-16	8W	100-265V	8-16V	450mA±5%	72*30*20mm	1.5KV
GSE-8W600-14	8W	100-265V	6-14V	600mA±5%	72*30*20mm	1.5KV
GSE-12W250-45	12W	100-265V	21-45V	250mA±5%	72*30*20mm	1.5KV
GSE-12W300-42	12W	100-265V	21-42V	300mA±5%	72*30*20mm	1.5KV
GSE-12W350-40	12W	100-265V	21-40V	350mA±5%	72*30*20mm	1.5KV
GSE-12W450-28	12W	100-265V	11-28V	450mA±5%	72*30*20mm	1.5KV
GSE-12W600-22	12W	100-265V	11-22V	600mA±5%	72*30*20mm	1.5KV
GSE-12W900-14	12W	100-265V	6-14V	900mA±5%	72*30*20mm	1.5KV
GSE-18W250-76	18W	100-265V	34-76V	250mA±5%	90*30*20mm	2KV
GSE-18W300-63	18W	100-265V	34-63V	300mA±5%	90*30*20mm	2KV
GSE-20W450-45	20W	100-265V	20-45V	450mA±5%	90*30*20mm	2KV
GSE-20W500-40	20W	100-265V	20-40V	500mA±5%	90*30*20mm	2KV
GSE-20W600-35	20W	100-265V	20-36V	600mA±5%	90*30*20mm	2KV
GSE-24W250-86	24W	100-265V	52-86V	250mA±5%	98*32*24mm	2KV
GSE-24W300-86	24W	100-265V	52-86V	300mA±5%	98*32*24mm	2KV
GSE-24W350-70	24W	100-265V	40-70V	350mA±5%	98*32*24mm	2KV
GSE-24W500-45	24W	100-265V	21-45V	500mA±5%	98*32*24mm	2KV
GSE-24W600-42	24W	100-265V	21-42V	600mA±5%	98*32*24mm	2KV
GSE-30W750-45	30W	100-265V	20-45V	750mA±5%	98*32*24mm	2KV
GSE-30W900-36	30W	100-265V	20-36V	900mA±5%	98*32*24mm	2KV

(Specific size is subject to the real product)

Rated power	Packing			Rated power	Packing		
	Quantity(PCS)	Weight(KG)	Measure(CM)		Quantity(PCS)	Weight(KG)	Measure(CM)
5W	70	5.2	33.5*22*21	20W	70	7.2	33.5*22*21
8W	70	5.2	33.5*22*21	24W	60	8.3	33.5*22*21
12W	70	5.9	33.5*22*21	30W	60	8.3	33.5*22*21
18W	70	7.2	33.5*22*21				

PRODUCT NAMING RULES

H V C - 100 W - 56 A



Additional Function:

- V: Only Basic Function, Output Current Non-dimmable
- A: Adjustable Potentiometer Version
- B: Three-in-one Dimming Version
- C: Auxiliary Power +Three-in-one Dimming / Off-line Programming Version
- D: DALI/DALI 2.0 Dimming
- N: NFC Off-line Programming Dimming
- J: RJ11/RJ12 Interface + Dimmer Switch
- K: Switch for CCT Dimming
- W: Wireless Communication Protocol
- S: Off-line Programming Dimming
- R: RS485 Communication Protocol
- T: Outside Temperature Protection

Max Output Voltage

Rated Input Voltage:

- W: Rated 100-277Vac/120-277Vac Wide Voltage Input
- H: Rated 180-264/277Vac High Voltage Input
- L: Rated 100-120Vac Low Voltage Input
- C: Rated 100-347Vac Canada Voltage Input
- U: Rated ~480Vac Super High Voltage Input
- I: Follow India EESL Standard, 440Vac Voltage Input within 48 Hours No Damage

Rated Output Power

Standard Technical Platform Code:

- C: Isolated Flicker Free
- E: Isolated
- S: Non-Isolated Flicker Free
- G: Non-Isolated

Naming for Series from A-Z

Application Segmentation Market Code:

- H: Outdoor Street / Tunnel Lighting
- L: Industrial Lighting
- P: Plant Lighting
- S: Smart Lighting
- G: General Lighting
- E: Education Lighting
- V: Outdoor Decoration Lighting

GLOBAL MARKETING LAYOUT



▲ Overseas Distributor Network Layout

- Vietnam
- Brazil
- Egypt
- Indonesia
- Thailand
- Saudi Arabia
- Iran
- India
- Russia
- Turkey